

Material Handling Machine

LH 80 Port

Litronic®

Operating Weight

75,700 – 116,700 kg*

Motor

230 kW/313 HP

Stage IV

Stage IIIA

System Performance

418 kW

* without working tool



LIEBHERR

Technical Data



Diesel Engine

Rating per ISO 9249	230 kW (313 HP) at 1,800 RPM
Model	Liebherr D946
Type	6 cylinder in-line
Bore/Stroke	130/150 mm
Displacement	11.95 l
Engine operation	4-stroke diesel Common-Rail turbo-charged and after-cooled reduced emissions
Air cleaner	dry-type air cleaner with pre-cleaner, primary and safety elements
Engine idling	sensor controlled
Electrical system	
Voltage	24 V
Batteries	2 x 180 Ah/12 V
Alternator	three-phase current 28 V/140 A
Stage IV	
Harmful emissions values	in accordance with 97/68/EG stage IV
Emission control	Liebherr-SCR technology
Fuel tank	660 l
Urea tank	65 l
Stage IIIA	
Harmful emissions values	in accordance with 97/68/EG stage IIIA
Fuel tank	660 l



Cooling System

Diesel engine	water-cooled cooling system, consisting of a cooling unit for water and charge air and a 2 nd cooler for hydraulic oil, each with an infinitely variable, thermostatically controlled fan drive system
----------------------	---



Hydraulic Controls

Power distribution	via control valves with integrated safety valves, simultaneous actuation of chassis and attachment. Swing drive in separate closed circuit
Servo circuit	
Attachment and swing	with electro-hydraulic pilot control and proportional joystick levers
Chassis	
Mobile	electroproportional via foot pedal
Crawler	with electric proportionally functioning foot pedals or adjusted with plugable levers
Additional functions	via switch or electroproportional foot pedals
Proportional control	proportionally acting transmitters on the joysticks for additional hydraulic functions



Hydraulic System

Hydraulic pump	
for attachment and travel drive	2 Liebherr axial piston variable displacement pumps (double construction)
Max. flow	2 x 362 l/min.
Max. pressure for swing drive	350 bar reversible axial piston variable displacement pump, closed-loop circuit
Max. flow	196 l/min.
Max. pressure	370 bar
Hydraulic pump regulation and control	2 circuit Liebherr-Synchron-Comfort-system (LSC) with electronic engine speed sensing regulation, pressure and flow compensation, automatic oil flow optimizer
Hydraulic tank	340 l
Hydraulic system	910 l
Hydraulic oil filter	2 main return filters with integrated partial micro filtration (5 µm)
MODE selection	adjustment of engine and hydraulic performance via a mode pre-selector to match application, e.g. for especially economical and environmentally friendly operation or for maximum material handling and heavy-duty jobs
S (Sensitive)	mode for precision work and lifting through very sensitive movements
E (Eco)	mode for especially economical and environmentally friendly operation
P (Power)	mode for high performance with low fuel consumption
P+ (Power-Plus)	mode for highest performance and for very heavy duty applications, suitable for continuous operation
Engine speed and performance setting	stepless alignment of engine output and hydraulic power via engine speed
Option	Tool Control: 20 preadjustable pump flows and pressures for add on tools



Swing Drive

Drive	Liebherr axial piston motor in a closed system, Liebherr planetary reduction gear
Swing ring	Liebherr, sealed race ball bearing swing ring, internal teeth
Swing speed	0 – 6.5 RPM stepless
Swing torque	141 kNm
Holding brake	wet multi-disc (spring applied, pressure released)
Option	slewing gear brake Comfort



Operator's Cab

Cab	safety cab structure with individual windscreens or featuring a slide-in subpart under the ceiling, work headlights integrated in the ceiling, a door with a sliding window (can be opened on both sides), large stowing and depositing possibilities, shock-absorbing suspension, sounddampening insulating, tinted laminated safety glass, separate shades for the sunroof window and windscreen
High Rise/Gantry	deviating from standard: safety cab structure with fixed built-in front and roof window made from impact-resistant laminated safety glass
Operator's seat Comfort	air cushioned operator's seat with 3D-adjustable armrests, headrest, lap belt, seat heater, adjustable seat cushion inclination and length, lockable horizontal suspension, automatic weight adjustment, adjustable suspension stiffness, pneumatic lumbar vertebrae support and passive seat climatisation with active coal
Operator's seat Premium (Option)	in addition to operator's seat comfort: active electronic weight adjustment (automatic re-adjustment), pneumatic low frequency suspension and active seat climatisation with active coal and ventilator
Control system	joysticks with control consoles and swivel seat, folding left control console
Operation and displays	large high-resolution operating unit, self-explanatory, colour display with touchscreen, video-compatible, numerous setting, control and monitoring options, e.g. air conditioning control, fuel consumption, machine and tool parameters
Air-conditioning	automatic air-conditioning, recirculated air function, fast de-icing and demisting at the press of a button, air vents can be operated via a menu; recirculated air and fresh air filters can be easily replaced and are accessible from the outside; heating-cooling unit, designed for extreme outside temperatures, sensors for solar radiation, inside and outside temperatures



Attachment

Type	weight-optimised design for bulk and general cargo handling at optimal handling capacity. Complex and stable mountings of attachment and cylinders
Hydraulic cylinders	Liebherr cylinders with special seal system as well as shock absorption
Energy recovering cylinder	Liebherr gas cylinder with special sealing and control system
Bearings	sealed, low maintenance



Undercarriage

Mobile	
Versions	Standard, High Rise
Drive	one axle drive per drive axle with Liebherr axial piston motor and functional brake valve on both sides
Travel speed	
Joystick steering	0 – 3.5 km/h stepless (creeper speed) 0 – 10.0 km/h stepless 0 – 8.0 km/h stepless (High Rise)
Driving operation	automotive driving using accelerator pedal, cruise control function: storage of variable accelerator pedal positions
Axles	90 t drive axles; manual or automatic hydraulically controlled front axle oscillation lock
Service brake	two circuit travel brake system with accumulator; wet and backlash-free disc brake
Holding brake	wet multi-disc (spring applied, pressure released)
Stabilization	4 point outriggers
Crawler	
Versions	SW, High Rise, Gantry
Drive	Liebherr compact planetary reduction gear with Liebherr axial piston motor per side of undercarriage
Travel speed	SW: 0 – 2.5 km/h stepless (creeper speed) 0 – 4.1 km/h stepless High Rise: 0 – 2.0 km/h stepless (creeper speed) 0 – 2.9 km/h stepless Gantry: 0 – 2.5 km/h stepless (creeper speed) 0 – 3.6 km/h stepless
Brake	functional brake valves on both sides
Holding brake	wet multi-disc (spring applied, pressure released)
Track pads	triple grouser, flat

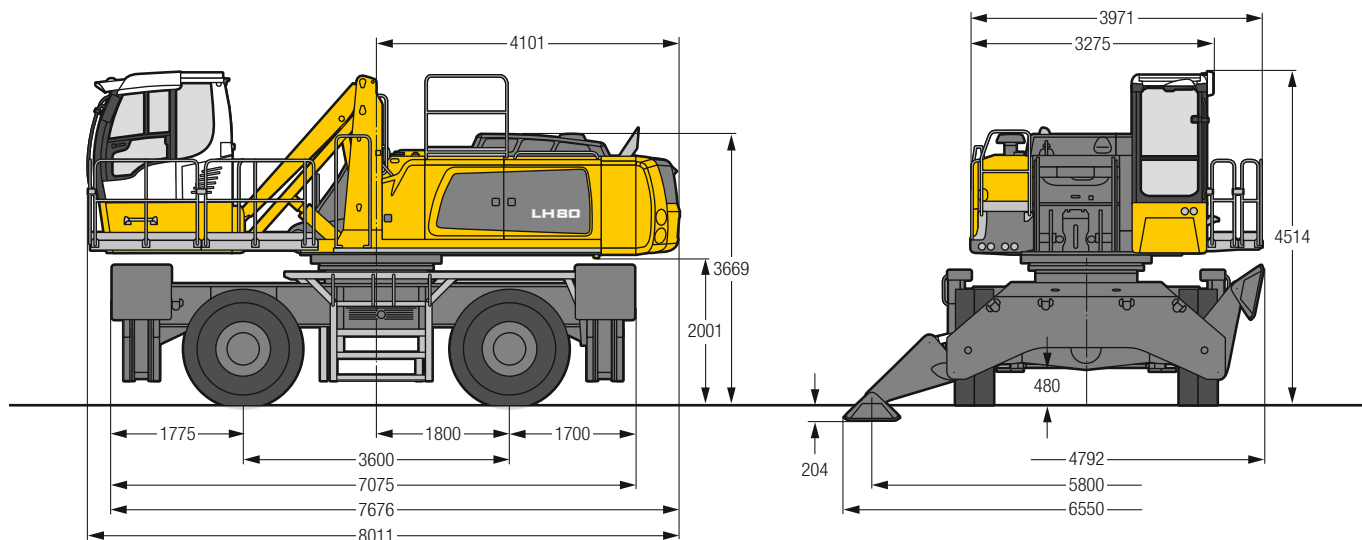


Complete Machine

Lubrication	Liebherr central lubrication system for upper-carriage and attachment, automatically	
Mobile (Option)	Liebherr central lubrication system for undercarriage, automatically	
Steps system	safe and durable access system with anti-slip steps main components hot-galvanised	
Noise emission		
ISO 6396	L_{pA} (inside cab)	= 71 dB(A)
2000/14/EC	L_{WA} (surround noise)	= 105 dB(A)

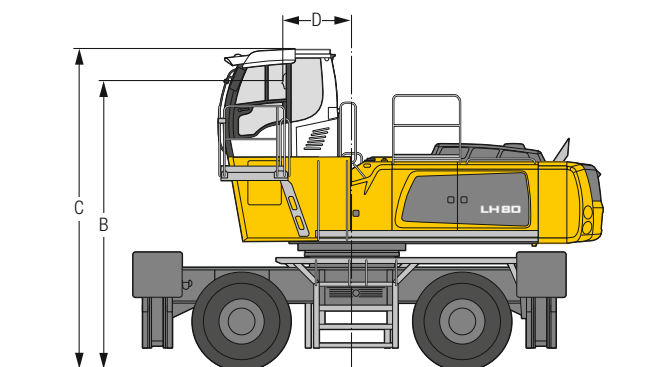
LH 80 M – Dimensions

Port



LH 80 M – Choice of Cab Elevation

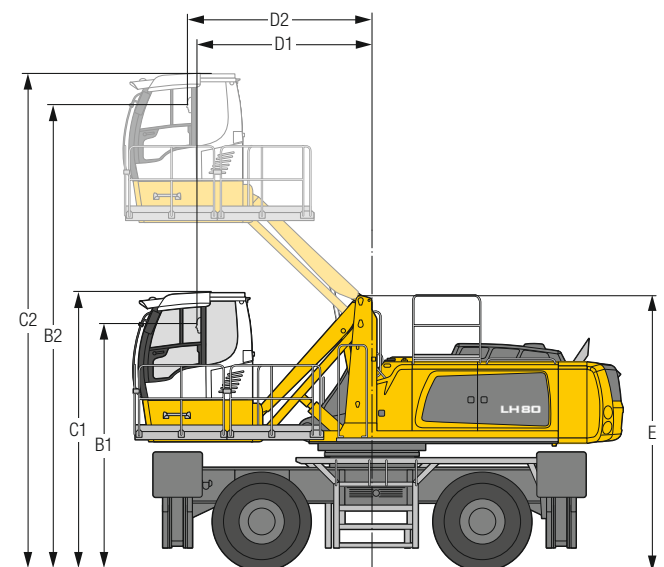
Cab Elevation LFC (Rigid Elevation)



Increase type		LFC 120	LFC 200
Height	mm	1,200	2,000
B	mm	4,701	5,501
C	mm	5,214	6,014
D	mm	1,128	1,128

A rigid cab elevation has a fixed eye level height. For a lower transport height, the shell of the cab can be removed and replaced by a transport device. The dimension C is in this machine design for all rigid cab elevations 4,318 mm.

Cab Elevation LHC (Hydraulic Elevation)



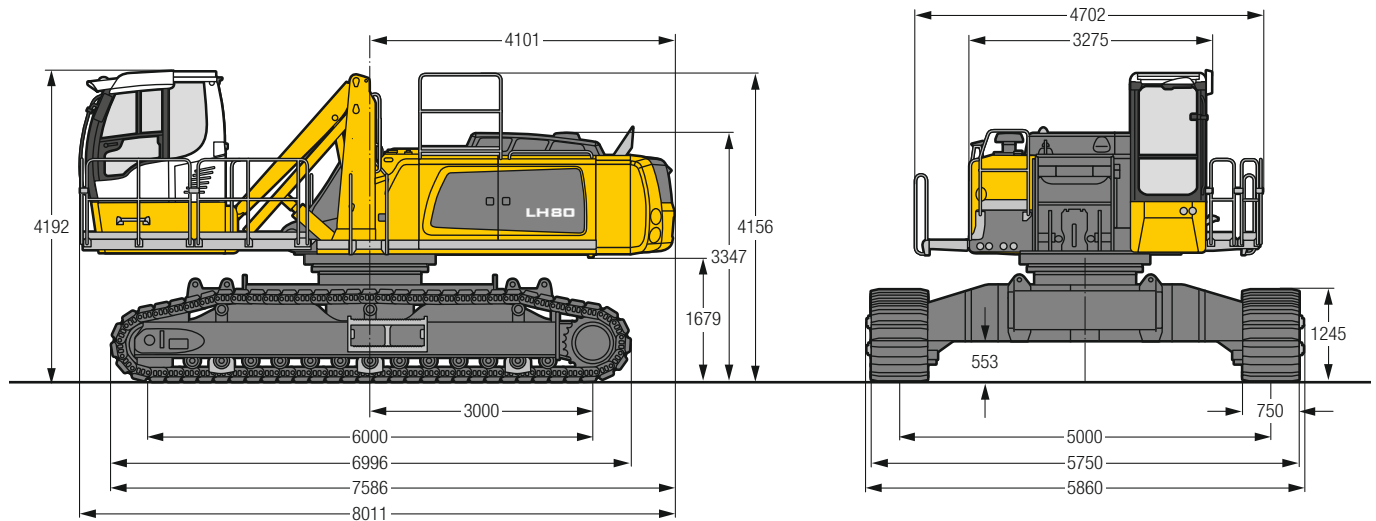
Increase type		LHC 255	LHC 340-35	LHC 360-50
B1	mm	3,501	3,852	4,001
B2	mm	6,048	7,267	7,571
C1	mm	4,014	4,366	4,514
C2	mm	6,561	7,780	8,085
D1	mm	1,683	2,796	2,854
D2	mm	1,809	2,797	3,004
E	mm	3,916	4,306	4,456

The hydraulically adjustable cab allows the driver, that he can choose his field of view freely and at any time within the stroke.

Tyres 23.5-25

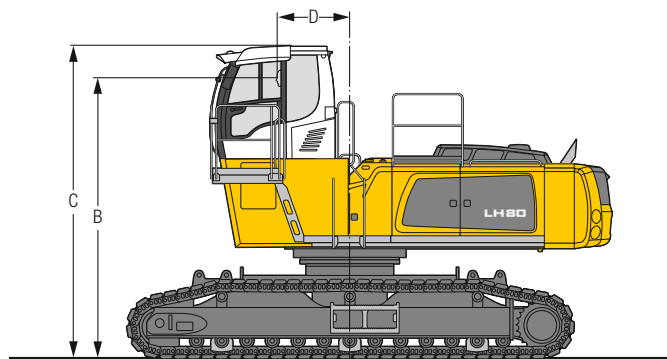
LH 80 C SW – Dimensions

Port



LH 80 C SW – Choice of Cab Elevation

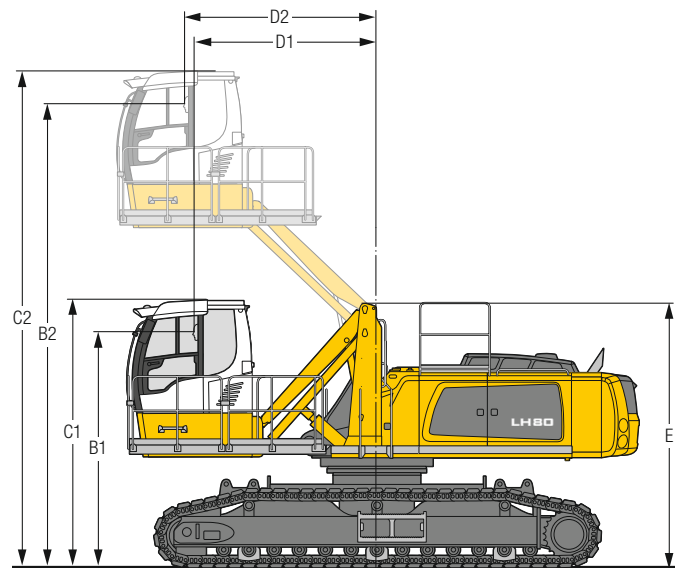
Cab Elevation LFC (Rigid Elevation)



Increase type		LFC 120	LFC 200
Height	mm	1,200	2,000
B	mm	4,379	5,179
C	mm	4,892	5,692
D	mm	1,128	1,128

A rigid cab elevation has a fixed eye level height. For a lower transport height, the shell of the cab can be removed and replaced by a transport device. The dimension C is in this machine design for all rigid cab elevations 3,996 mm.

Cab Elevation LHC (Hydraulic Elevation)

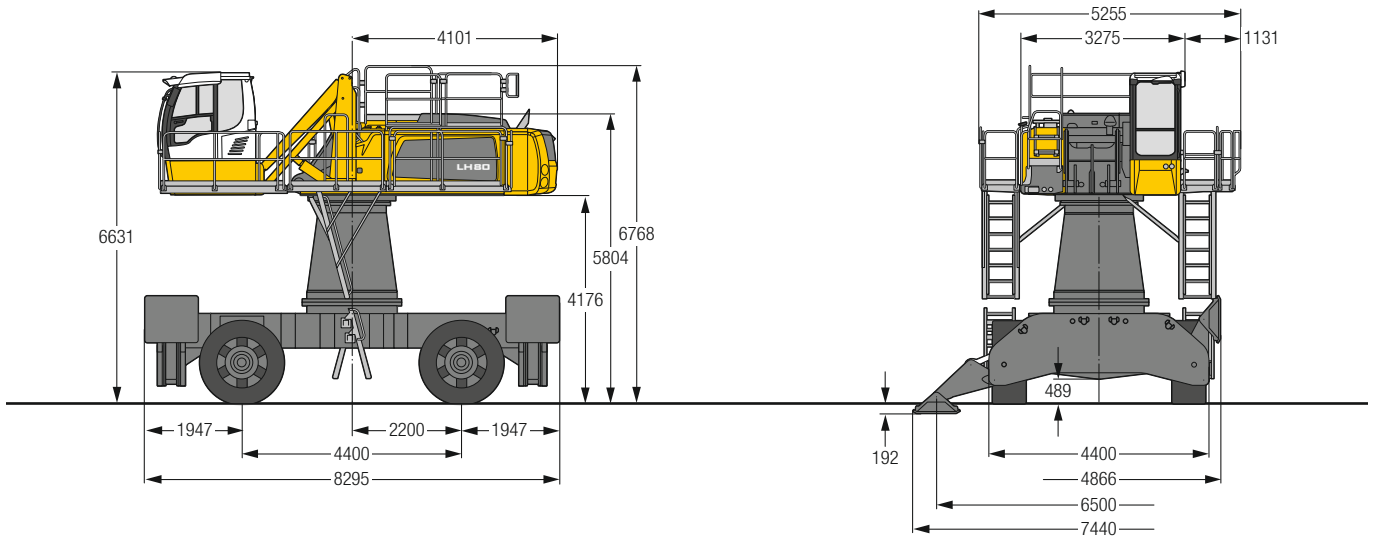


Increase type		LHC 255	LHC 340-35	LHC 360-50
B1	mm	3,179	3,530	3,679
B2	mm	5,726	6,946	7,249
C1	mm	3,693	4,044	4,192
C2	mm	6,239	7,460	7,763
D1	mm	1,683	2,796	2,854
D2	mm	1,809	2,797	3,004
E	mm	3,594	3,984	4,134

The hydraulically adjustable cab allows the driver, that he can choose his field of view freely and at any time within the stroke.

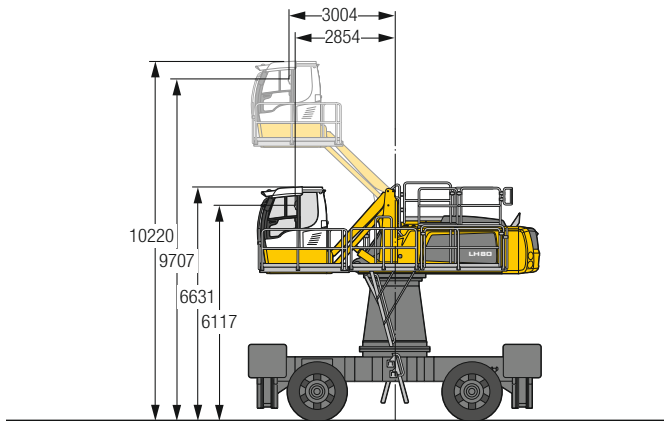
LH 80 M HR – Dimensions

Port



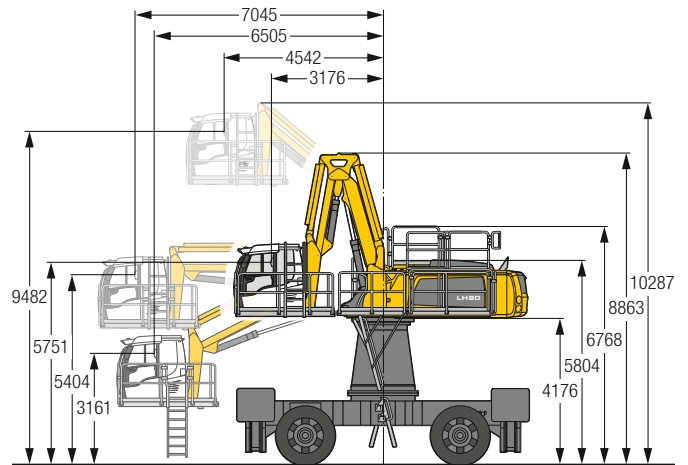
LH 80 M HR – Choice of Cab Elevation

Cab Elevation LHC (Hydraulic Elevation)



Increase type **LHC 360-50**
 The hydraulically adjustable cab allows the driver, that he can choose his field of view freely and at any time within the stroke.

Cab Elevation LHC-D (Hydraulic Elevation)

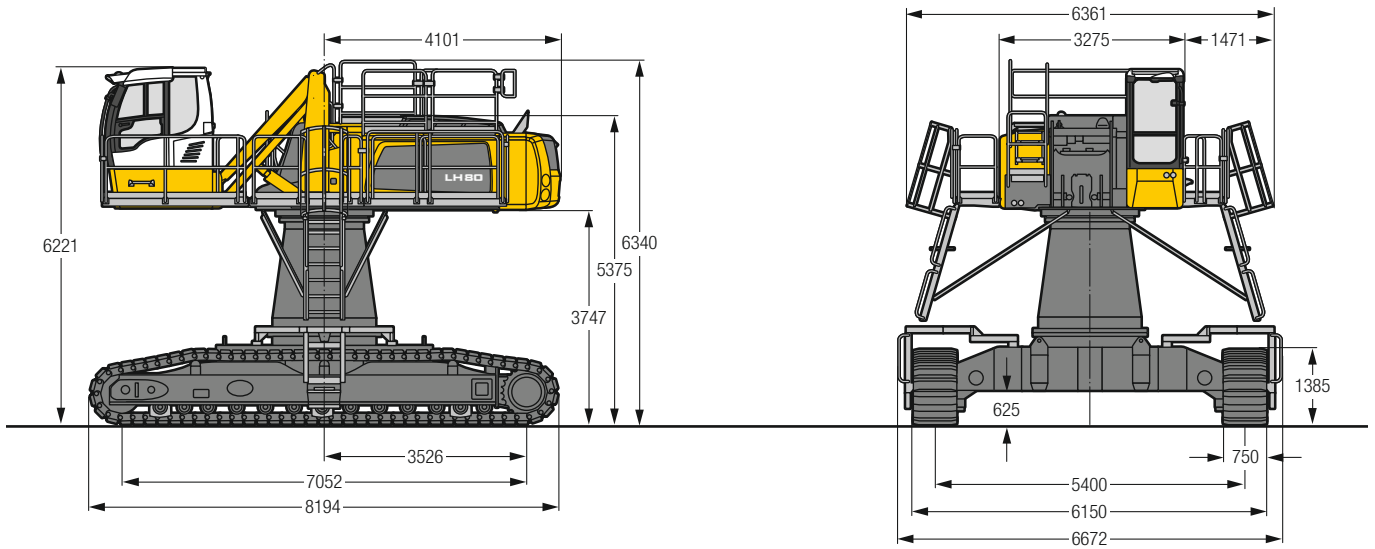


Increase type **LHC-D 730**
 The hydraulically adjustable cab allows the driver, that he can choose his field of view freely and at any time within the stroke.

Tyres 26.5-25

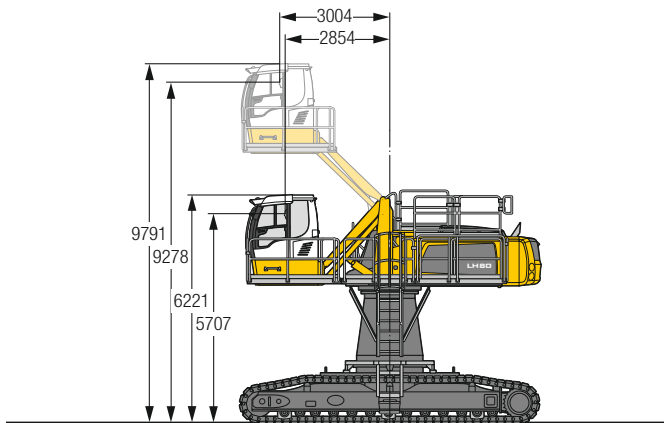
LH 80 C HR – Dimensions

Port



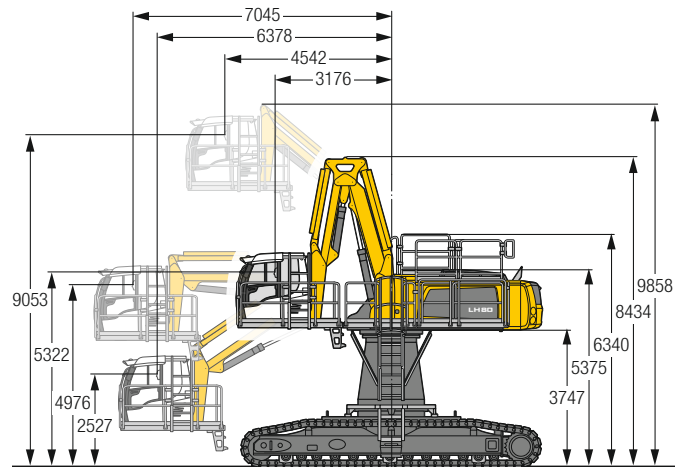
LH 80 C HR – Choice of Cab Elevation

Cab Elevation LHC (Hydraulic Elevation)



Increase type **LHC 360-50**
 The hydraulically adjustable cab allows the driver, that he can choose his field of view freely and at any time within the stroke.

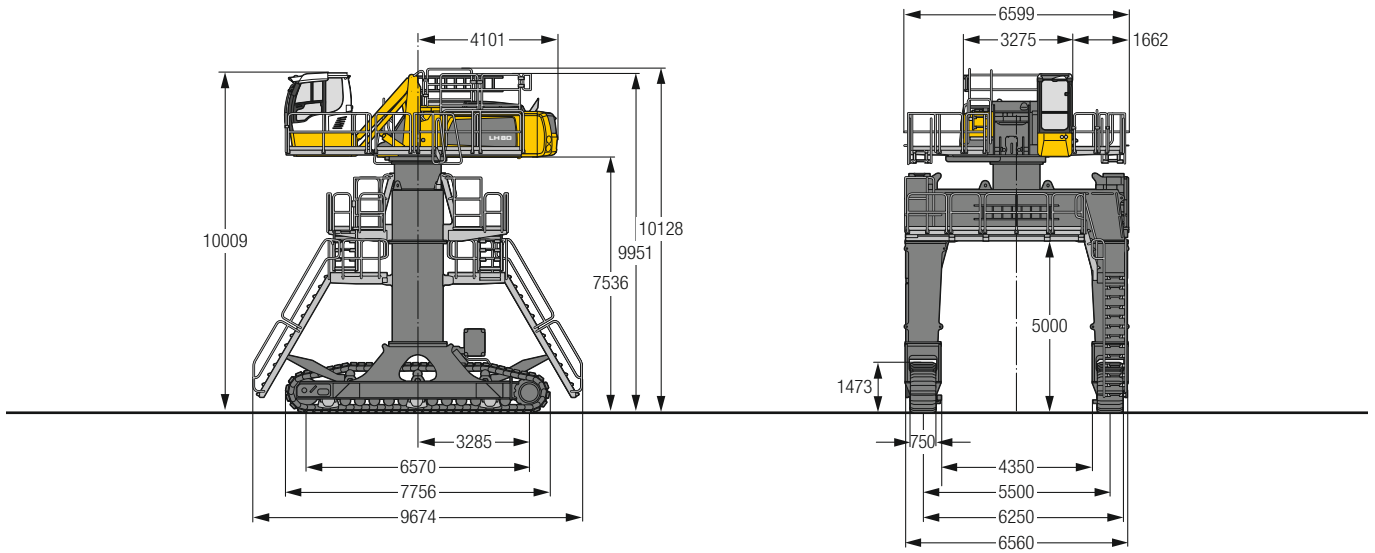
Cab Elevation LHC-D (Hydraulic Elevation)



Increase type **LHC-D 730**
 The hydraulically adjustable cab allows the driver, that he can choose his field of view freely and at any time within the stroke.

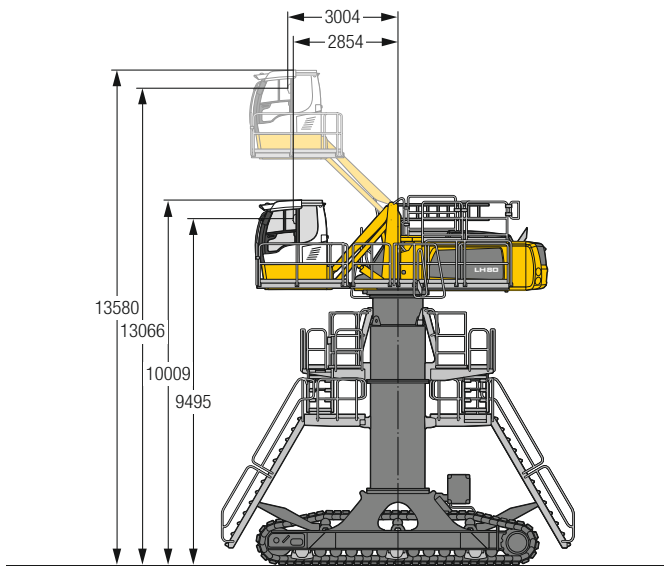
LH 80 C Gantry – Dimensions

Port



LH 80 C Gantry – Cab Elevation

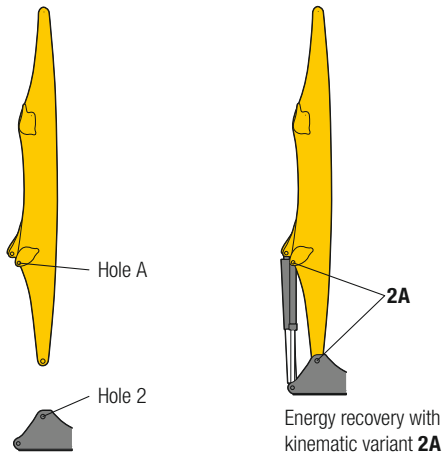
Cab Elevation LHC (Hydraulic Elevation)



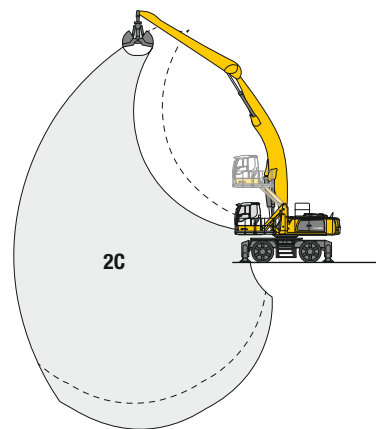
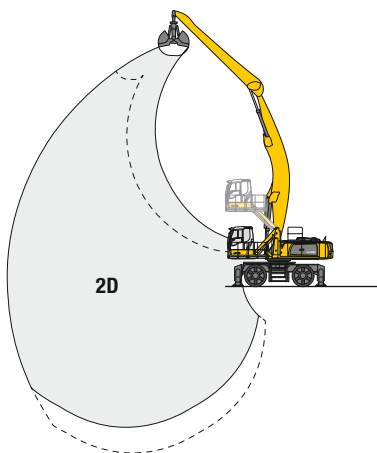
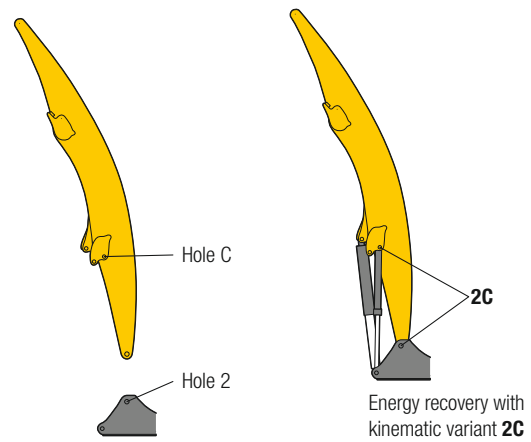
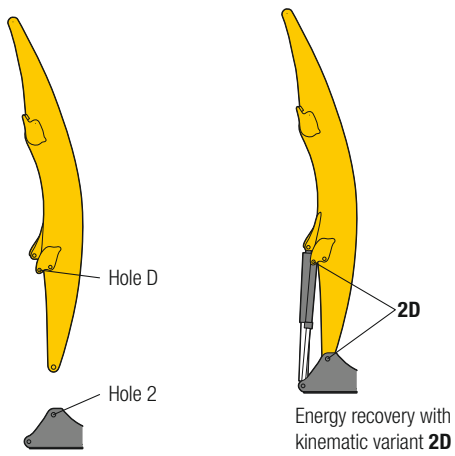
Increase type **LHC 360-50**

The hydraulically adjustable cab allows the driver, that he can choose his field of view freely and at any time within the stroke.

Kinematic Variant 2A



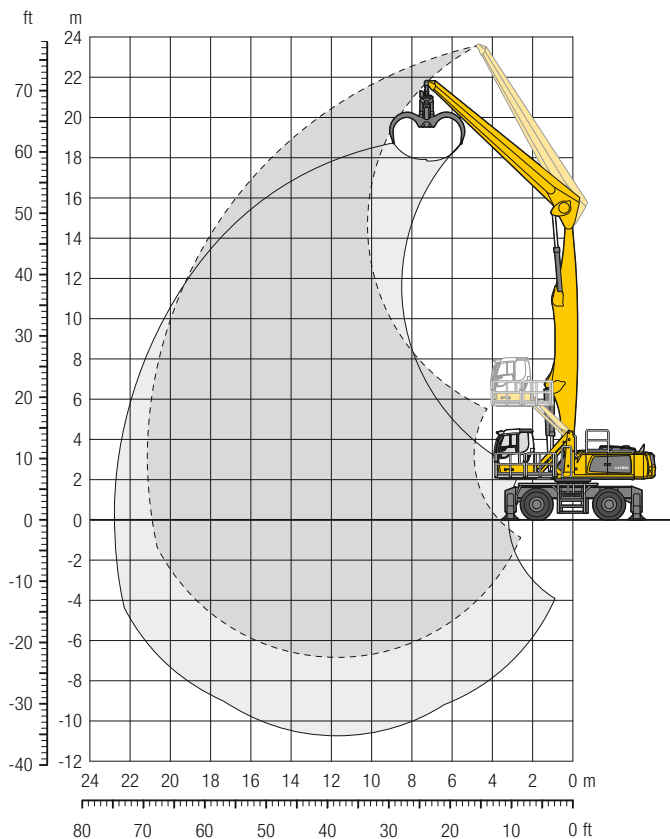
Kinematic Variant 2D/2C



Altered range curve with additional reach depth, e.g. for unloading from ships

LH 80 M – Attachment GG21

Port – Kinematic 2A

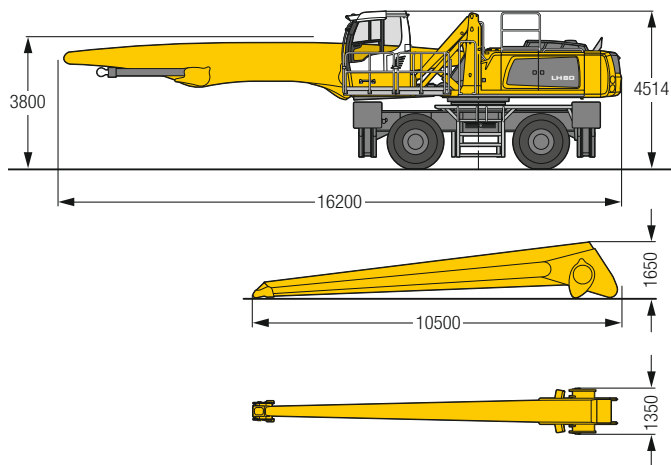


Operating Weight

The operating weight includes the basic machine with 4 point outriggers, hydr. cab elevation, 4 solid tyres, straight boom 11.50 m, straight stick 10.00 m and wood grab GMH 80/2.2 m².

Weight 80,400 kg

Dimensions



m	Undercarriage	6.0 m	7.5 m	9.0 m	10.5 m	12.0 m	13.5 m	15.0 m	16.5 m	18.0 m	19.5 m	21.0 m	22.5 m	24.0 m	m																														
		15.2* 15.2*		14.9* 14.9*		12.8* 12.8*		14.5* 14.5* 12.7* 12.7*		14.9* 14.9* 13.6* 13.6* 12.4* 12.4* 9.3* 9.3*		14.6* 14.6* 13.4* 13.4* 12.4* 12.4* 11.6* 11.6*		14.5* 14.5* 13.3* 13.3* 12.3* 12.3* 11.5* 11.5* 10.8* 10.8*		14.5* 14.5* 13.3* 13.3* 12.3* 12.3* 11.4* 11.4* 10.7* 10.7* 9.5* 9.5*		14.7* 14.7* 13.4* 13.4* 12.3* 12.3* 11.4* 11.4* 10.7* 10.7* 10.0* 10.0*		15.0* 15.0* 13.6* 13.6* 12.5* 12.5* 11.5* 11.5* 10.7* 10.7* 10.0* 10.0* 9.0* 9.0*		16.8* 16.8* 15.4* 15.4* 13.9* 13.9* 12.7* 12.7* 11.7* 11.7* 10.8* 10.8* 10.0* 10.0* 9.0 9.3*		16.2* 16.2* 18.0* 18.0* 15.9* 15.9* 14.3* 14.3* 12.9* 12.9* 11.8* 11.8* 10.9* 10.9* 10.1* 10.1* 9.0 9.2*		15.8* 15.8* 19.8* 19.8* 18.9* 18.9* 16.5* 16.5* 14.7* 14.7* 13.2* 13.2* 12.0* 12.0* 11.0* 11.0* 10.1* 10.1* 8.9 9.2*		29.5* 29.5* 23.7* 23.7* 19.8* 19.8* 17.1* 17.1* 15.1* 15.1* 13.5* 13.5* 12.2* 12.2* 11.1* 11.1* 10.0 10.1* 8.7 9.2* 7.7 8.0*		31.7* 31.7* 25.0* 25.0* 20.7* 20.7* 17.7* 17.7* 15.4* 15.4* 13.7* 13.7* 12.3* 12.3* 11.1* 11.1* 9.8 10.1* 8.6 9.0* 7.6 7.7*		16.4* 16.4* 25.9* 25.9* 21.3* 21.3* 18.1* 18.1* 15.7* 15.7* 13.9* 13.9* 12.4* 12.4* 11.0 11.1* 9.6 9.9* 8.5 8.8* 7.2* 7.2*		11.4* 11.4* 26.2* 26.2* 21.5* 21.5* 18.2* 18.2* 15.8* 15.8* 13.9* 13.9* 12.3* 12.3* 10.7 10.9* 9.4 9.7* 8.4* 8.4*		10.9* 10.9* 21.2* 21.2* 21.3* 21.3* 18.0* 18.0* 15.6* 15.6* 13.6* 13.6* 12.0* 12.0* 10.5 10.6* 9.2* 9.2* 7.7* 7.7*		11.6* 11.6* 19.5* 19.5* 20.4* 20.4* 17.4* 17.4* 15.0* 15.0* 13.1* 13.1* 11.4* 11.4* 9.9* 9.9* 8.4* 8.4* 6.5* 6.5*		12.8* 12.8* 19.6* 19.6* 18.7* 18.7* 16.1* 16.1* 14.0* 14.0* 12.1* 12.1* 10.5* 10.5* 8.9* 8.9* 7.1* 7.1*		16.2* 16.2* 14.2* 14.2* 12.3* 12.3* 10.6* 10.6* 9.0* 9.0*			
22.5	4 pt. outriggers down														13.5*	13.5*	8.4																												
21.0	4 pt. outriggers down														11.1*	11.1*	11.3																												
19.5	4 pt. outriggers down														9.9*	9.9*	13.4																												
18.0	4 pt. outriggers down														9.1*	9.1*	15.1																												
16.5	4 pt. outriggers down														8.6*	8.6*	16.4																												
15.0	4 pt. outriggers down														8.2*	8.2*	17.5																												
13.5	4 pt. outriggers down														8.0*	8.0*	18.5																												
12.0	4 pt. outriggers down														7.8*	7.8*	19.2																												
10.5	4 pt. outriggers down														7.7*	7.7*	19.9																												
9.0	4 pt. outriggers down														7.6*	7.6*	20.3																												
7.5	4 pt. outriggers down														7.6*	7.6*	20.7																												
6.0	4 pt. outriggers down														7.7*	7.7*	21.0																												
4.5	4 pt. outriggers down														7.6	7.8*	21.1																												
3.0	4 pt. outriggers down														7.5*	7.5*	21.2																												
1.5	4 pt. outriggers down														7.1*	7.1*	21.1																												
0	4 pt. outriggers down														6.6*	6.6*	20.9																												
-1.5	4 pt. outriggers down														6.1*	6.1*	20.5																												
-3.0	4 pt. outriggers down														6.4*	6.4*	19.6																												
-4.5	4 pt. outriggers down														7.1*	7.1*	18.1																												
-6.0	4 pt. outriggers down														8.4*	8.4*	15.6																												

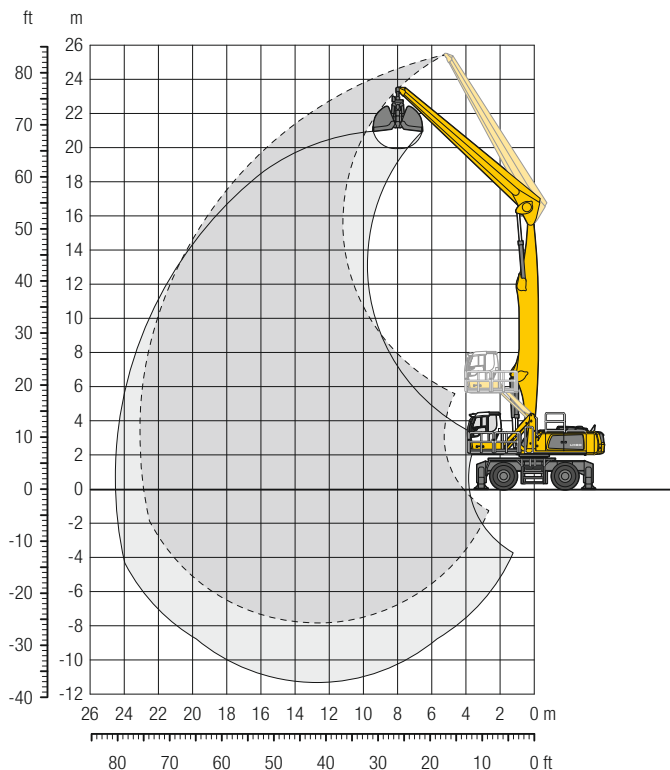
Height Can be slewed through 360° In longitudinal position of undercarriage Max. reach * Limited by hydr. capacity

The lift capacities on the stick end without attachment are stated in metric tons (t) and are valid on a firm, level supporting surface with blocked oscillating axle. These capacities can be slewed through 360° with the undercarriage in the transverse position. Capacities in the longitudinal position of the undercarriage (+/- 15°) are specified over the rigid axle with the stabilizers down. Indicated loads based on the ISO 10567 standard and do not exceed 75% of tipping or 87% of hydraulic capacity. The lift capacity values indicated are attained at the corresponding operating temperature. This operating temperature is ensured by continuous movement of the boom. Weights of fitted working tools (grabs, load hooks, etc.) and load accommodation equipment are to be deducted from the lift capacity values. The lift capacity of the unit is limited by its stability, the lifting capability of the hydraulic elements, or the maximum permissible lifting capacity of the load hook.

In accordance with the harmonised European Standard EN 474-5, hydraulic excavators used for lifting operations must be equipped with pipe fracture safety valves, an overload warning device, a load hook and a lift capacity chart.

LH 80 M – Attachment GG23

Port – Kinematic 2A

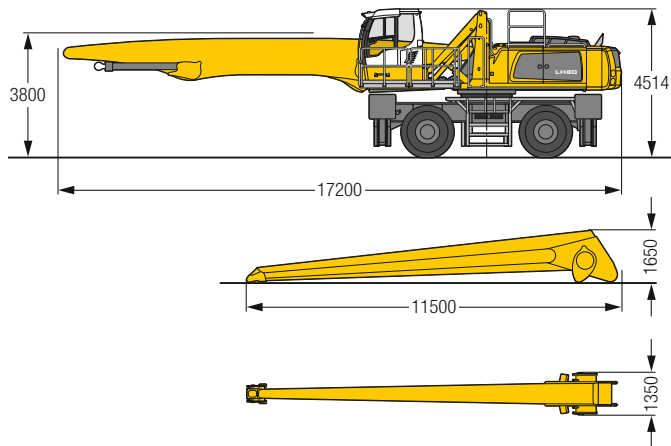


Operating Weight

The operating weight includes the basic machine with 4 point outriggers, hydr. cab elevation, 4 solid tyres, straight boom 12.50 m, straight stick 11.00 m and grab for loose material GMZ 80/6.00 m³.

Weight 82,200 kg

Dimensions



m	Undercarriage	Attachment Length (m)													m											
		6.0 m	7.5 m	9.0 m	10.5 m	12.0 m	13.5 m	15.0 m	16.5 m	18.0 m	19.5 m	21.0 m	22.5 m	24.0 m												
25.5	4 pt. outriggers down																	15.4*	15.4*	5.8						
24.0	4 pt. outriggers down		14.8*	14.8*	12.9*	12.9*													11.1*	11.1*	10.0					
22.5	4 pt. outriggers down			14.2*	14.2*	12.8*	12.8*	10.8*	10.8*										9.4*	9.4*	12.7					
21.0	4 pt. outriggers down				13.7*	13.7*	12.5*	12.5*	10.8*	10.8*									9.4*	9.4*	14.8					
19.5	4 pt. outriggers down					12.9*	12.9*	11.9*	11.9*	10.6*	10.6*								7.8*	7.8*	16.4					
18.0	4 pt. outriggers down					12.7*	12.7*	11.7*	11.7*	10.8*	10.8*	10.1*	10.1*						7.3*	7.3*	17.8					
16.5	4 pt. outriggers down					12.6*	12.6*	11.6*	11.6*	10.7*	10.7*	10.0*	10.0*	9.3*	9.3*				7.0*	7.0*	19.0					
15.0	4 pt. outriggers down					12.6*	12.6*	11.6*	11.6*	10.7*	10.7*	9.9*	9.9*	9.3*	9.3*	8.1*	8.1*		6.7*	6.7*	19.9					
13.5	4 pt. outriggers down					12.7*	12.7*	11.6*	11.6*	10.7*	10.7*	9.9*	9.9*	9.3*	9.3*	8.7*	8.7*		6.6*	6.6*	20.8					
12.0	4 pt. outriggers down					12.8*	12.8*	11.7*	11.7*	10.8*	10.8*	10.0*	10.0*	9.3*	9.3*	8.7*	8.7*	7.9*	7.9*	6.5*	6.5*	21.5				
10.5	4 pt. outriggers down				14.5*	14.5*	13.0*	13.0*	11.9*	11.9*	10.9*	10.9*	10.0*	10.0*	9.3*	9.3*	8.7*	8.7*	7.9*	8.1*	22.0					
9.0	4 pt. outriggers down			14.7*	14.7*	14.9*	14.9*	13.3*	13.3*	12.1*	12.1*	11.0*	11.0*	10.1*	10.1*	9.4*	9.4*	8.7*	8.7*	7.9*	8.0*	22.5				
7.5	4 pt. outriggers down		13.8*	13.8*	16.2*	16.2*	15.3*	15.3*	13.6*	13.6*	12.3*	12.3*	11.2*	11.2*	10.2*	10.2*	9.4*	9.4*	8.7*	8.7*	7.8*	8.0*	6.8*	7.2*	22.8	
6.0	4 pt. outriggers down	13.2*	13.2*	17.1*	17.1*	18.3*	18.3*	15.9*	15.9*	14.0*	14.0*	12.5*	12.5*	11.3*	11.3*	10.4*	10.4*	9.5*	9.5*	8.7*	8.7*	7.7*	8.0*	6.7*	7.2*	23.0
4.5	4 pt. outriggers down	26.6*	26.6*	22.9*	22.9*	19.1*	19.1*	16.4*	16.4*	14.4*	14.4*	12.8*	12.8*	11.5*	11.5*	10.4*	10.4*	9.5*	9.5*	8.6*	8.7*	7.5*	7.9*	6.7*	7.0*	23.2
3.0	4 pt. outriggers down	30.5*	30.5*	24.0*	24.0*	19.8*	19.8*	16.8*	16.8*	14.7*	14.7*	13.0*	13.0*	11.6*	11.6*	10.5*	10.5*	9.5*	9.5*	8.4*	8.7*	7.4*	7.8*	6.6*	6.8*	23.2
1.5	4 pt. outriggers down	11.8*	11.8*	24.7*	24.7*	20.3*	20.3*	17.2*	17.2*	14.9*	14.9*	13.1*	13.1*	11.7*	11.7*	10.5*	10.5*	9.3*	9.5*	8.2*	8.6*	7.3*	7.6*	6.5*	6.5*	23.1
0	4 pt. outriggers down	8.4*	8.4*	20.0*	20.0*	20.5*	20.5*	17.3*	17.3*	15.0*	15.0*	13.1*	13.1*	11.7*	11.7*	10.4*	10.4*	9.1*	9.3*	8.1*	8.3*	7.2*	7.3*	6.0*	6.0*	23.0
-1.5	4 pt. outriggers down	8.2*	8.2*	15.6*	15.6*	20.2*	20.2*	17.2*	17.2*	14.8*	14.8*	13.0*	13.0*	11.5*	11.5*	10.1*	10.2*	8.9*	9.1*	7.9*	8.0*	6.8*	6.8*	5.1*	5.1*	22.7
-3.0	4 pt. outriggers down	8.8*	8.8*	14.5*	14.5*	19.5*	19.5*	16.6*	16.6*	14.4*	14.4*	12.6*	12.6*	11.1*	11.1*	9.8*	9.8*	8.6*	8.6*	7.4*	7.4*	6.1*	6.1*			21.8
-4.5	4 pt. outriggers down	9.8*	9.8*	14.7*	14.7*	18.1*	18.1*	15.6*	15.6*	13.6*	13.6*	11.9*	11.9*	10.4*	10.4*	9.1*	9.1*	7.9*	7.9*	6.6*	6.6*					20.6
-6.0	4 pt. outriggers down			15.5*	15.5*	16.1*	16.1*	14.1*	14.1*	12.3*	12.3*	10.8*	10.8*	9.4*	9.4*	8.1*	8.1*	6.8*	6.8*							18.7
-7.5	4 pt. outriggers down					11.9*	11.9*	10.6*	10.6*	9.2*	9.2*	7.9*	7.9*													15.1

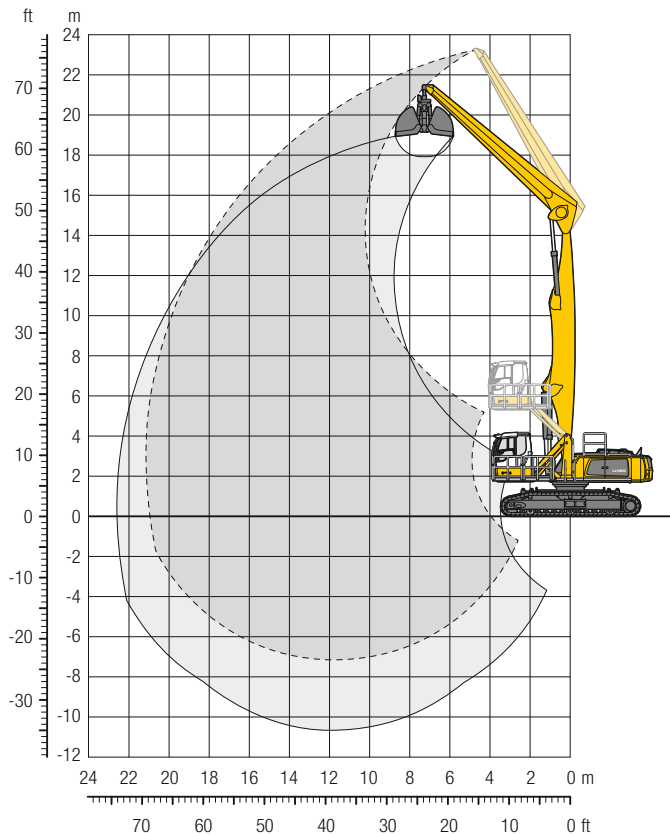
Height Can be slewed through 360° In longitudinal position of undercarriage Max. reach * Limited by hydr. capacity

The lift capacities on the stick end without attachment are stated in metric tons (t) and are valid on a firm, level supporting surface with blocked oscillating axle. These capacities can be slewed through 360° with the undercarriage in the transverse position. Capacities in the longitudinal position of the undercarriage (+/- 15°) are specified over the rigid axle with the stabilizers down. Indicated loads based on the ISO 10567 standard and do not exceed 75% of tipping or 87% of hydraulic capacity. The lift capacity values indicated are attained at the corresponding operating temperature. This operating temperature is ensured by continuous movement of the boom. Weights of fitted working tools (grabs, load hooks, etc.) and load accommodation equipment are to be deducted from the lift capacity values. The lift capacity of the unit is limited by its stability, the lifting capability of the hydraulic elements, or the maximum permissible lifting capacity of the load hook.

In accordance with the harmonised European Standard EN 474-5, hydraulic excavators used for lifting operations must be equipped with pipe fracture safety valves, an overload warning device, a load hook and a lift capacity chart.

LH 80 C SW – Attachment GG21

Port – Kinematic 2A

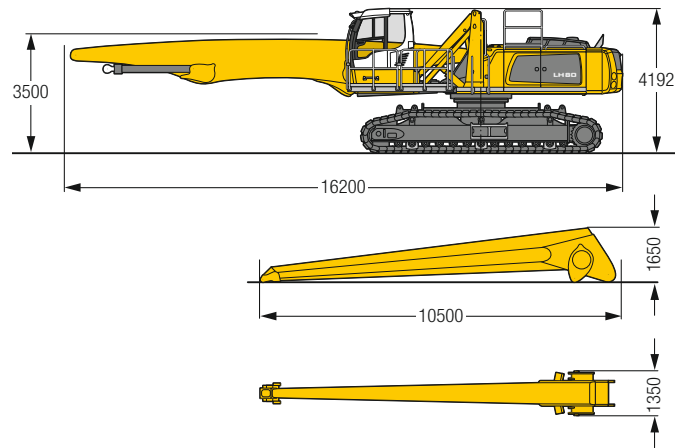


Operating Weight and Ground Pressure

The operating weight includes the basic machine with hydr. cab elevation, straight boom 11.50 m, straight stick 10.00 m and grab for loose material GMZ 80/6.00 m³.

Weight	85,600 kg
Pad width	750 mm
Ground pressure	on request

Dimensions



m	Undercarriage	Attachment Lengths (m)														m				
		6.0 m	7.5 m	9.0 m	10.5 m	12.0 m	13.5 m	15.0 m	16.5 m	18.0 m	19.5 m	21.0 m	22.5 m	24.0 m						
22.5	SW	17.1*	17.1*														14.7*	14.7*	7.3	
21.0	SW			14.5*	14.5*	11.8*	11.8*											11.6*	11.6*	10.6
19.5	SW			15.6*	15.6*	14.2*	14.2*	12.1*	12.1*									10.2*	10.2*	12.9
18.0	SW					15.0*	15.0*	13.7*	13.7*	11.8*	11.8*							9.3*	9.3*	14.6
16.5	SW					14.7*	14.7*	13.4*	13.4*	12.4*	12.4*	11.3*	11.3*					8.7*	8.7*	16.1
15.0	SW					14.5*	14.5*	13.3*	13.3*	12.3*	12.3*	11.5*	11.5*	10.4*	10.4*			8.3*	8.3*	17.2
13.5	SW					14.5*	14.5*	13.3*	13.3*	12.3*	12.3*	11.4*	11.4*	10.7*	10.7*	8.8*	8.8*	8.0*	8.0*	18.2
12.0	SW					14.6*	14.6*	13.4*	13.4*	12.3*	12.3*	11.4*	11.4*	10.7*	10.7*	9.8	10.0*	7.8*	7.8*	19.0
10.5	SW					14.9*	14.9*	13.5*	13.5*	12.4*	12.4*	11.5*	11.5*	10.7*	10.7*	9.8	10.0*	7.7*	7.7*	19.7
9.0	SW			16.6*	16.6*	15.3*	15.3*	13.8*	13.8*	12.6*	12.6*	11.6*	11.6*	10.8*	10.8*	9.7	10.0*	8.4	9.3*	20.2
7.5	SW			17.8*	17.8*	15.8*	15.8*	14.2*	14.2*	12.9*	12.9*	11.8*	11.8*	10.9*	10.9*	9.6	10.1*	8.3	9.3*	20.6
6.0	SW	14.6*	14.6*	18.4*	18.4*	18.7*	18.7*	16.3*	16.3*	14.6*	14.6*	13.1*	13.1*	12.0*	12.0*	10.9	11.0*	9.4	10.1*	20.9
4.5	SW	23.1*	23.1*	23.3*	23.3*	19.6*	19.6*	16.9*	16.9*	15.0*	15.0*	13.4*	13.4*	12.1*	12.1*	10.7	11.1*	9.3	10.1*	21.1
3.0	SW	31.2*	31.2*	24.7*	24.7*	20.5*	20.5*	17.5*	17.5*	15.4*	15.4*	13.7*	13.7*	12.1	12.3*	10.4	11.1*	9.1	10.1*	21.2
1.5	SW	20.7*	20.7*	25.7*	25.7*	21.2*	21.2*	18.0*	18.0*	15.6*	15.6*	13.7	13.8*	11.7	12.4*	10.1	11.1*	8.9	10.0*	21.1
0	SW	12.1*	12.1*	26.2*	26.2*	21.5*	21.5*	18.2*	18.2*	15.7	15.8*	13.3	13.9*	11.4	12.3*	9.9	11.0*	8.7	9.8*	21.0
-1.5	SW	10.8*	10.8*	22.4*	22.4*	21.4*	21.4*	18.1*	18.1*	15.2	15.7*	12.9	13.7*	11.1	12.1*	9.7	10.7*	8.6	9.4*	20.7
-3.0	SW	11.3*	11.3*	19.7*	19.7*	20.7*	20.7*	17.6*	17.6*	14.8	15.2*	12.6	13.3*	10.9	11.6*	9.6	10.1*	8.5	8.7*	19.9
-4.5	SW	12.4*	12.4*	19.4*	19.4*	19.3*	19.3*	16.5*	16.5*	14.3*	14.3*	12.4	12.4*	10.8	10.8*	9.2*	9.2*	7.6*	7.6*	18.6
-6.0	SW		19.5*	19.5*	17.0*	14.8*	14.8*	12.9*	12.9*	11.1*	11.1*	9.5*	9.5*					7.9*	7.9*	16.5

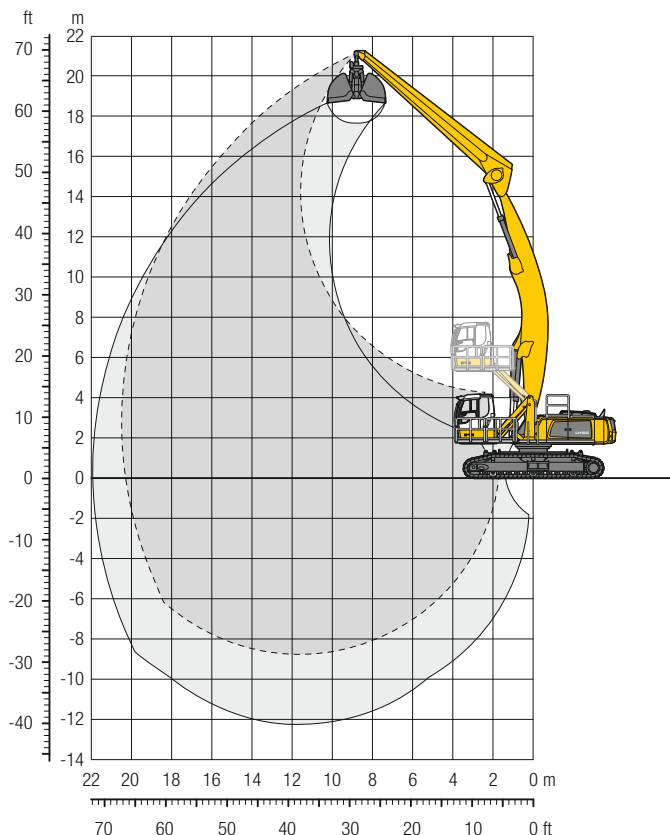
Height
Can be slewed through 360°
In longitudinal position of undercarriage
Max. reach
 * Limited by hydr. capacity

The lift capacities on the stick end without attachment are stated in metric tons (t) and can be slewed through 360° on a firm, level supporting surface. Capacities are valid for 750 mm wide flat pads. Indicated loads based on the ISO 10567 standard and do not exceed 75% of tipping or 87% of hydraulic capacity. The lift capacity values indicated are attained at the corresponding operating temperature. This operating temperature is ensured by continuous movement of the boom. Weights of fitted working tools (grabs, load hooks, etc.) and load accommodation equipment are to be deducted from the lift capacity values. The lift capacity of the unit is limited by its stability, the lifting capability of the hydraulic elements, or the maximum permissible lifting capacity of the load hook.

In accordance with the harmonised European Standard EN 474-5, hydraulic excavators used for lifting operations must be equipped with pipe fracture safety valves, an overload warning device, a load hook and a lift capacity chart.

LH 80 C SW – Attachment AG21

Port – Kinematic 2D

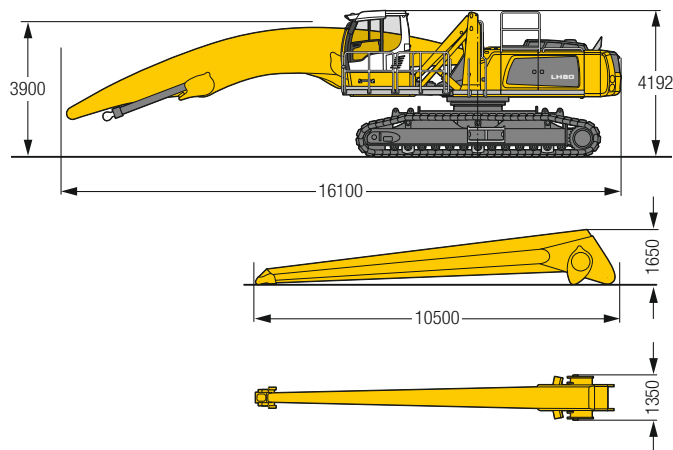


Operating Weight and Ground Pressure

The operating weight includes the basic machine with hydr. cab elevation, angled boom 11.50 m, straight stick 10.00 m and grab for loose material GMZ 80/6.00 m³.

Weight	86,300 kg
Pad width	750 mm
Ground pressure	on request

Dimensions



m	Undercarriage	Attachment Lengths														m			
		6.0 m	7.5 m	9.0 m	10.5 m	12.0 m	13.5 m	15.0 m	16.5 m	18.0 m	19.5 m	21.0 m	22.5 m	24.0 m					
21.0	SW			11.2* 11.2*														10.9* 10.9*	9.2
19.5	SW				11.5* 11.5*													9.6* 9.6*	11.7
18.0	SW					11.5* 11.5*	9.1* 9.1*											8.8* 8.8*	13.6
16.5	SW						11.2* 11.2*	10.6* 10.6*	8.7* 8.7*									8.3* 8.3*	15.2
15.0	SW						11.1* 11.1*	10.4* 10.4*	9.9* 9.9*									8.0* 8.0*	16.4
13.5	SW						11.1* 11.1*	10.4* 10.4*	9.8* 9.8*	9.4* 9.4*								7.8* 7.8*	17.4
12.0	SW						11.1* 11.1*	10.4* 10.4*	9.9* 9.9*	9.4* 9.4*	8.5* 8.5*							7.7* 7.7*	18.3
10.5	SW						11.4* 11.4*	10.6* 10.6*	10.0* 10.0*	9.4* 9.4*	9.0* 9.0*							7.6* 7.6*	19.0
9.0	SW					12.7* 12.7*	11.7* 11.7*	10.8* 10.8*	10.1* 10.1*	9.6* 9.6*	9.1* 9.1*	7.7* 7.7*						7.7* 7.7*	19.5
7.5	SW			14.8* 14.8*	13.3* 13.3*	12.1* 12.1*	11.1* 11.1*	10.4* 10.4*	9.7* 9.7*	9.2* 9.2*	8.4 8.7*							7.7* 7.7*	19.9
6.0	SW		18.2* 18.2*	15.8* 15.8*	14.0* 14.0*	12.6* 12.6*	11.5* 11.5*	10.6* 10.6*	9.9* 9.9*	9.3* 9.3*	8.3 8.8*							7.8 7.8*	20.2
4.5	SW	24.4* 24.4*	19.9* 19.9*	16.9* 16.9*	14.7* 14.7*	13.2* 13.2*	11.9* 11.9*	10.9* 10.9*	10.1* 10.1*	9.4 9.4*	8.2 8.8*							7.5 8.0*	20.4
3.0	SW	27.3* 27.3*	21.6* 21.6*	18.0* 18.0*	15.5* 15.5*	13.7* 13.7*	12.3* 12.3*	11.2* 11.2*	10.3* 10.3*	9.2 9.6*	8.1 8.9*							7.4 8.2*	20.5
1.5	SW	29.8* 29.8*	23.2* 23.2*	19.1* 19.1*	16.3* 16.3*	14.3* 14.3*	12.7* 12.7*	11.5* 11.5*	10.3 10.5*	9.0 9.7*	7.9 8.9*							7.3 8.4*	20.5
0	SW	17.7* 17.7*	24.5* 24.5*	20.0* 20.0*	17.0* 17.0*	14.8* 14.8*	13.1* 13.1*	11.6 11.8*	10.0 10.7*	8.8 9.8*	7.8 8.9*							7.3 8.4*	20.3
-1.5	SW	14.8* 14.8*	25.2* 25.2*	20.6* 20.6*	17.4* 17.4*	15.1* 15.1*	13.0 13.3*	11.2 11.9*	9.8 10.8*	8.6 9.7*	7.7 8.7*							7.4 8.3*	20.0
-3.0	SW	14.3* 14.3*	23.2* 23.2*	20.9* 20.9*	17.6* 17.6*	14.9 15.3*	12.7 13.4*	11.0 11.9*	9.6 10.7*	8.5 9.6*	7.6 8.4*							7.5 8.2*	19.6
-4.5	SW	14.6* 14.6*	21.8* 21.8*	20.6* 20.6*	17.5* 17.5*	14.6 15.2*	12.4 13.3*	10.8 11.8*	9.5 10.4*	8.4 9.1*								7.8 8.1*	19.1
-6.0	SW	15.4* 15.4*	21.7* 21.7*	19.9* 19.9*	17.0* 17.0*	14.4 14.7*	12.3 12.9*	10.7 11.3*	9.4 9.8*	8.3* 8.3*								7.8* 7.8*	18.5
-7.5	SW		21.6* 21.6*	18.4* 18.4*	15.9* 15.9*	13.8* 13.8*	12.0* 12.0*	10.4* 10.4*	8.8* 8.8*									8.7* 8.7*	16.5

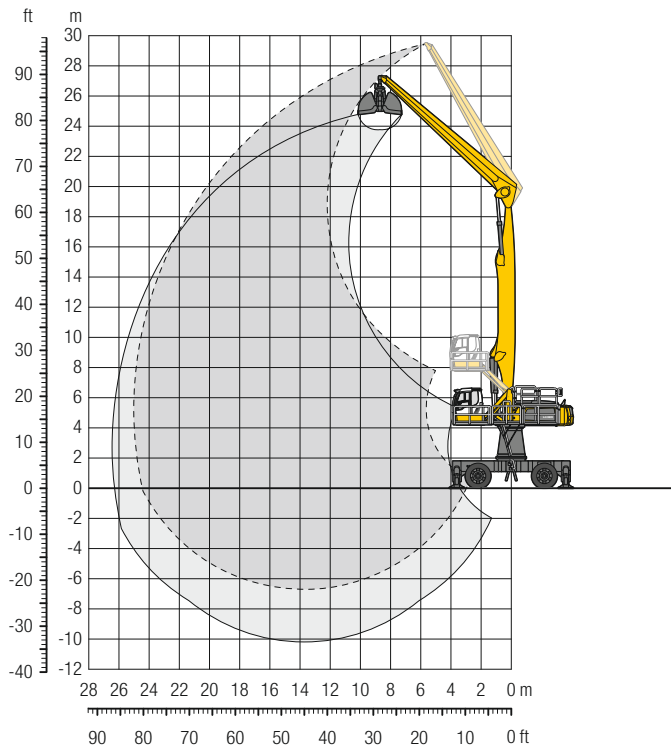
Height Can be slewed through 360° In longitudinal position of undercarriage Max. reach * Limited by hydr. capacity

The lift capacities on the stick end without attachment are stated in metric tons (t) and can be slewed through 360° on a firm, level supporting surface. Capacities are valid for 750 mm wide flat pads. Indicated loads based on the ISO 10567 standard and do not exceed 75% of tipping or 87% of hydraulic capacity. The lift capacity values indicated are attained at the corresponding operating temperature. This operating temperature is ensured by continuous movement of the boom. Weights of fitted working tools (grabs, load hooks, etc.) and load accommodation equipment are to be deducted from the lift capacity values. The lift capacity of the unit is limited by its stability, the lifting capability of the hydraulic elements, or the maximum permissible lifting capacity of the load hook.

In accordance with the harmonised European Standard EN 474-5, hydraulic excavators used for lifting operations must be equipped with pipe fracture safety valves, an overload warning device, a load hook and a lift capacity chart.

LH 80 M HR – Attachment GG25

Port – Kinematic 2A

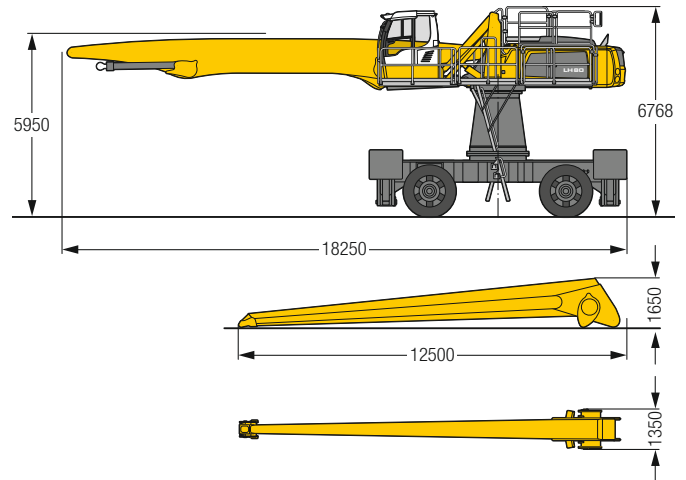


Operating Weight

The operating weight includes the basic machine with 4 point outriggers, turret 2,000 mm, hydr. cab elevation, 4 solid tyres, straight boom 13.50 m, straight stick 12.00 m and grab for loose material GMZ 80/4.00 m³.

Weight 94,000 kg

Dimensions



		6.0 m	7.5 m	9.0 m	10.5 m	12.0 m	13.5 m	15.0 m	16.5 m	18.0 m	19.5 m	21.0 m	22.5 m	24.0 m		m
28.5	4 pt. outriggers down		13.5* 13.5*													11.6* 11.6* 9.0
27.0	4 pt. outriggers down			13.1* 13.1*	11.7* 11.7*	9.9* 9.9*										9.5* 9.5* 12.2
25.5	4 pt. outriggers down				12.6* 12.6*	11.5* 11.5*	10.0* 10.0*									8.4* 8.4* 14.6
24.0	4 pt. outriggers down					12.3* 12.3*	11.3* 11.3*	9.9* 9.9*	7.7* 7.7*							7.7* 7.7* 16.5
22.5	4 pt. outriggers down					12.4* 12.4*	11.3* 11.3*	10.3* 10.3*	9.6* 9.6*	7.4* 7.4*						7.2* 7.2* 18.1
21.0	4 pt. outriggers down						11.1* 11.1*	10.2* 10.2*	9.4* 9.4*	8.8* 8.8*						6.9* 6.9* 19.4
19.5	4 pt. outriggers down						11.1* 11.1*	10.2* 10.2*	9.4* 9.4*	8.7* 8.7*	8.1* 8.1*					6.6* 6.6* 20.6
18.0	4 pt. outriggers down						11.1* 11.1*	10.1* 10.1*	9.4* 9.4*	8.7* 8.7*	8.1* 8.1*	7.6* 7.6*				6.4* 6.4* 21.5
16.5	4 pt. outriggers down					12.2* 12.2*	11.1* 11.1*	10.2* 10.2*	9.4* 9.4*	8.7* 8.7*	8.1* 8.1*	7.5* 7.5*				6.3* 6.3* 22.3
15.0	4 pt. outriggers down					12.3* 12.3*	11.2* 11.2*	10.2* 10.2*	9.4* 9.4*	8.7* 8.7*	8.1* 8.1*	7.5* 7.5*	7.0* 7.0*			6.2* 6.2* 23.0
13.5	4 pt. outriggers down					12.5* 12.5*	11.3* 11.3*	10.3* 10.3*	9.5* 9.5*	8.7* 8.7*	8.1* 8.1*	7.5* 7.5*	7.0* 7.0*			6.1* 6.1* 23.6
12.0	4 pt. outriggers down				13.6* 13.6*	12.7* 12.7*	11.4* 11.4*	10.4* 10.4*	9.5* 9.5*	8.8* 8.8*	8.1* 8.1*	7.5* 7.5*	7.0* 7.0*	6.3* 6.3*		6.1* 6.1* 24.1
10.5	4 pt. outriggers down			13.1* 13.1*	14.6* 14.6*	13.0* 13.0*	11.6* 11.6*	10.5* 10.5*	9.6* 9.6*	8.8* 8.8*	8.2* 8.2*	7.5* 7.5*	7.0* 7.0*	6.3* 6.3*		6.1* 6.1* 24.5
9.0	4 pt. outriggers down		12.6* 12.6*	15.1* 15.1*	15.0* 15.0*	13.2* 13.2*	11.8* 11.8*	10.7* 10.7*	9.7* 9.7*	8.9* 8.9*	8.2* 8.2*	7.5* 7.5*	6.9* 6.9*	6.3* 6.3*		5.9* 5.9* 24.7
7.5	4 pt. outriggers down	13.4* 13.4*	17.3* 17.3*	18.0* 18.0*	15.5* 15.5*	13.5* 13.5*	12.0* 12.0*	10.8* 10.8*	9.8* 9.8*	9.0* 9.0*	8.2* 8.2*	7.5* 7.5*	6.9* 6.9*	6.2* 6.2*		5.6* 5.6* 24.9
6.0	4 pt. outriggers down	28.5* 28.5*	22.5* 22.5*	18.6* 18.6*	15.9* 15.9*	13.8* 13.8*	12.2* 12.2*	10.9* 10.9*	9.9* 9.9*	9.0* 9.0*	8.2* 8.2*	7.5* 7.5*	6.8* 6.8*	6.1* 6.1*		5.4* 5.4* 25.0
4.5	4 pt. outriggers down	15.2* 15.2*	23.3* 23.3*	19.1* 19.1*	16.2* 16.2*	14.0* 14.0*	12.4* 12.4*	11.0* 11.0*	9.9* 9.9*	9.0* 9.0*	8.2* 8.2*	7.4* 7.4*	6.7* 6.7*	5.9* 5.9*		5.1* 5.1* 25.0
3.0	4 pt. outriggers down	7.3* 7.3*	20.3* 20.3*	19.4* 19.4*	16.4* 16.4*	14.2* 14.2*	12.4* 12.4*	11.0* 11.0*	9.9* 9.9*	8.9* 8.9*	8.1* 8.1*	7.3* 7.3*	6.5* 6.5*	5.6* 5.6*		4.8* 4.8* 24.9
1.5	4 pt. outriggers down	6.2* 6.2*	13.1* 13.1*	19.4* 19.4*	16.4* 16.4*	14.1* 14.1*	12.4* 12.4*	11.0* 11.0*	9.8* 9.8*	8.8* 8.8*	7.9* 7.9*	7.1* 7.1*	6.2* 6.2*	5.2* 5.2*		4.4* 4.4* 24.7
0	4 pt. outriggers down	6.4* 6.4*	11.4* 11.4*	19.0* 19.0*	16.1* 16.1*	13.9* 13.9*	12.2* 12.2*	10.8* 10.8*	9.6* 9.6*	8.6* 8.6*	7.6* 7.6*	6.7* 6.7*	5.8* 5.8*	4.5* 4.5*		4.0* 4.0* 24.4
-1.5	4 pt. outriggers down	7.1* 7.1*	11.2* 11.2*	18.1* 18.1*	15.5* 15.5*	13.5* 13.5*	11.8* 11.8*	10.4* 10.4*	9.2* 9.2*	8.2* 8.2*	7.2* 7.2*	6.2* 6.2*	5.2* 5.2*			4.1* 4.1* 23.6
-3.0	4 pt. outriggers down	8.1* 8.1*	11.6* 11.6*	16.7* 16.7*	14.5* 14.5*	12.7* 12.7*	11.1* 11.1*	9.8* 9.8*	8.7* 8.7*	7.6* 7.6*	6.6* 6.6*	5.5* 5.5*				4.4* 4.4* 22.4
-4.5	4 pt. outriggers down		12.4* 12.4*	14.8* 14.8*	13.1* 13.1*	11.5* 11.5*	10.2* 10.2*	8.9* 8.9*	7.8* 7.8*	6.8* 6.8*	5.7* 5.7*					4.8* 4.8* 20.6
-6.0	4 pt. outriggers down				11.1* 11.1*	9.9* 9.9*	8.8* 8.8*	7.7* 7.7*	6.7* 6.7*							5.8* 5.8* 17.7

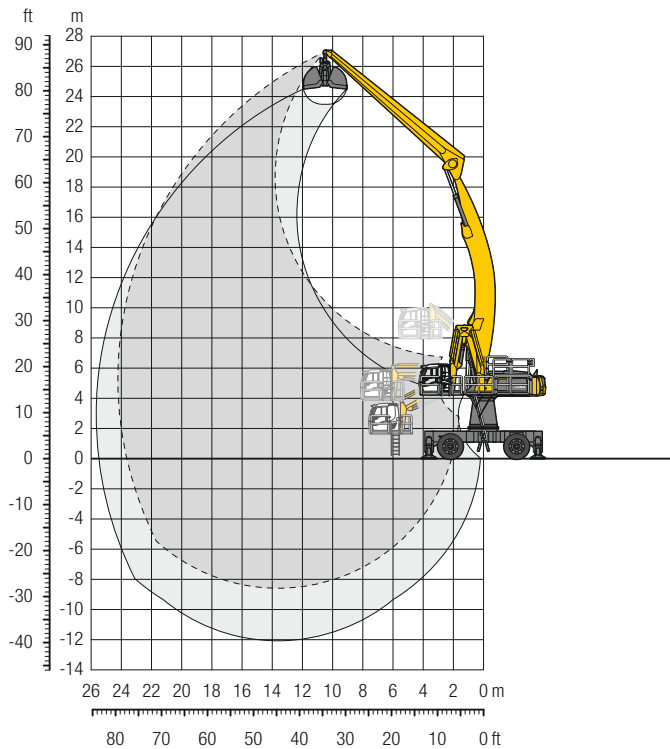
Height **Can be slewed through 360°** **In longitudinal position of undercarriage** **Max. reach** * Limited by hydr. capacity

The lift capacities on the stick end without attachment are stated in metric tons (t) and are valid on a firm, level supporting surface with blocked oscillating axle. These capacities can be slewed through 360° with the undercarriage in the transverse position. Capacities in the longitudinal position of the undercarriage (+/- 15°) are specified over the rigid axle with the stabilizers down. Indicated loads based on the ISO 10567 standard and do not exceed 75% of tipping or 87% of hydraulic capacity. The lift capacity values indicated are attained at the corresponding operating temperature. This operating temperature is ensured by continuous movement of the boom. Weights of fitted working tools (grabs, load hooks, etc.) and load accommodation equipment are to be deducted from the lift capacity values. The lift capacity of the unit is limited by its stability, the lifting capability of the hydraulic elements, or the maximum permissible lifting capacity of the load hook.

In accordance with the harmonised European Standard EN 474-5, hydraulic excavators used for lifting operations must be equipped with pipe fracture safety valves, an overload warning device, a load hook and a lift capacity chart.

LH 80 M HR – Attachment AG24

Port – Kinematic 2D

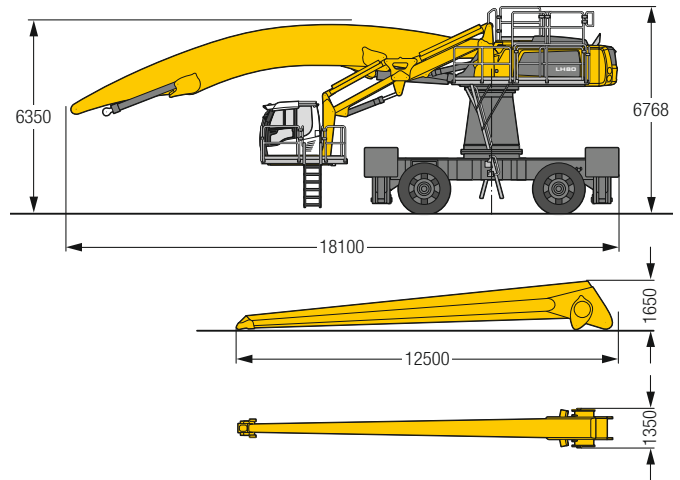


Operating Weight

The operating weight includes the basic machine with 4 point outriggers, turret 2,000 mm, hydr. cab elevation, 4 solid tyres, angled boom 13.50 m, straight stick 12.00 m and grab for loose material GMZ 80/4.00 m³.

Weight 97,300 kg

Dimensions



↕		6.0 m	7.5 m	9.0 m	10.5 m	12.0 m	13.5 m	15.0 m	16.5 m	18.0 m	19.5 m	21.0 m	22.5 m	24.0 m		m	
27.0	4 pt. outriggers down																
25.5	4 pt. outriggers down					9.2*	9.2*									7.9* 7.9*	
24.0	4 pt. outriggers down						9.3*	9.3*	7.6*	7.6*						7.3* 7.3*	
22.5	4 pt. outriggers down						9.3*	9.3*	8.7*	8.7*	7.5*	7.5*				6.9* 6.9*	
21.0	4 pt. outriggers down								8.5*	8.5*	8.0*	8.0*	7.1*	7.1*		6.6* 6.6*	
19.5	4 pt. outriggers down								8.5*	8.5*	7.9*	7.9*	7.5*	7.5*	6.5*	6.5*	
18.0	4 pt. outriggers down								8.4*	8.4*	7.9*	7.9*	7.4*	7.4*	7.0*	7.0*	
16.5	4 pt. outriggers down								8.5*	8.5*	7.9*	7.9*	7.4*	7.4*	7.0*	7.0*	
15.0	4 pt. outriggers down						9.2*	9.2*	8.5*	8.5*	7.9*	7.9*	7.4*	7.4*	7.0*	7.0*	
13.5	4 pt. outriggers down						9.4*	9.4*	8.6*	8.6*	8.0*	8.0*	7.5*	7.5*	7.1*	7.1*	
12.0	4 pt. outriggers down					10.5*	10.5*	9.6*	9.6*	8.8*	8.8*	8.1*	8.1*	7.6*	7.6*		
10.5	4 pt. outriggers down					10.8*	10.8*	9.8*	9.8*	9.0*	9.0*	8.3*	8.3*	7.7*	7.7*		
9.0	4 pt. outriggers down			14.4*	14.4*	12.6*	12.6*	11.2*	11.2*	10.1*	10.1*	9.2*	9.2*	8.4*	8.4*		
7.5	4 pt. outriggers down		18.1*	18.1*	15.2*	15.2*	13.1*	13.1*	11.6*	11.6*	10.4*	10.4*	9.4*	9.4*	8.6*	8.6*	
6.0	4 pt. outriggers down	24.5*	24.5*	19.3*	19.3*	16.0*	16.0*	13.7*	13.7*	12.0*	12.0*	10.7*	10.7*	9.6*	9.6*	8.8*	8.8*
4.5	4 pt. outriggers down	26.3*	26.3*	20.5*	20.5*	16.8*	16.8*	14.3*	14.3*	12.4*	12.4*	11.0*	11.0*	9.9*	9.9*	9.0*	9.0*
3.0	4 pt. outriggers down	12.6*	12.6*	21.4*	21.4*	17.5*	17.5*	14.8*	14.8*	12.8*	12.8*	11.3*	11.3*	10.1*	10.1*	9.1*	9.1*
1.5	4 pt. outriggers down	9.9*	9.9*	18.0*	18.0*	18.0*	18.0*	15.2*	15.2*	13.1*	13.1*	11.5*	11.5*	10.3*	10.3*	9.2*	9.2*
0	4 pt. outriggers down	9.3*	9.3*	14.9*	14.9*	18.3*	18.3*	15.4*	15.4*	13.3*	13.3*	11.7*	11.7*	10.4*	10.4*	9.3*	9.3*
-1.5	4 pt. outriggers down	9.5*	9.5*	13.8*	13.8*	18.3*	18.3*	15.5*	15.5*	13.3*	13.3*	11.7*	11.7*	10.4*	10.4*	9.3*	9.3*
-3.0	4 pt. outriggers down	10.0*	10.0*	13.7*	13.7*	18.0*	18.0*	15.3*	15.3*	13.2*	13.2*	11.6*	11.6*	10.3*	10.3*	9.2*	9.2*
-4.5	4 pt. outriggers down	10.7*	10.7*	13.9*	13.9*	17.3*	17.3*	14.8*	14.8*	12.9*	12.9*	11.3*	11.3*	10.0*	10.0*	8.9*	8.9*
-6.0	4 pt. outriggers down			14.4*	14.4*	16.2*	16.2*	14.0*	14.0*	12.3*	12.3*	10.8*	10.8*	9.6*	9.6*	8.5*	8.5*
-7.5	4 pt. outriggers down					14.6*	14.6*	12.8*	12.8*	11.3*	11.3*	10.0*	10.0*	8.8*	8.8*	7.7*	7.7*

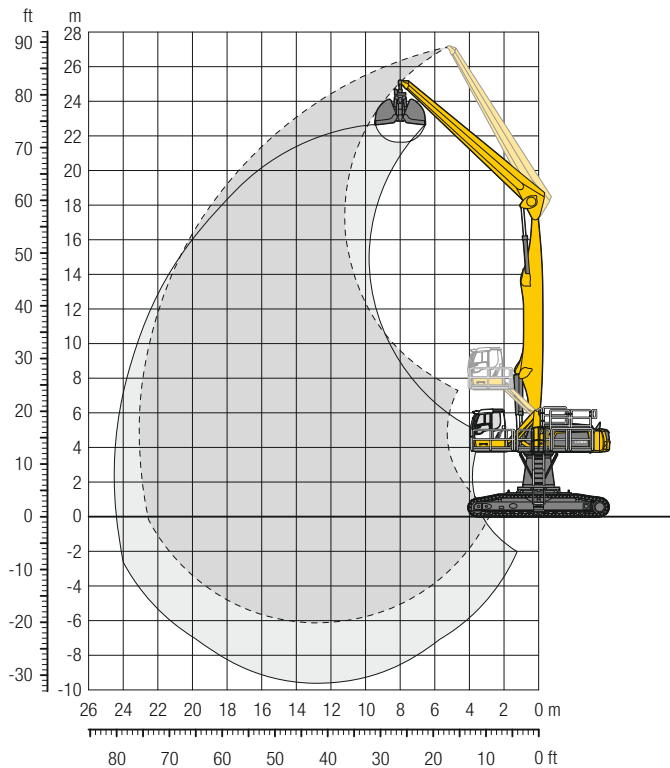
↕ Height Can be slewed through 360° In longitudinal position of undercarriage Max. reach * Limited by hydr. capacity

The lift capacities on the stick end without attachment are stated in metric tons (t) and are valid on a firm, level supporting surface with blocked oscillating axle. These capacities can be slewed through 360° with the undercarriage in the transverse position. Capacities in the longitudinal position of the undercarriage (+/- 15°) are specified over the rigid axle with the stabilizers down. Indicated loads based on the ISO 10567 standard and do not exceed 75% of tipping or 87% of hydraulic capacity. The lift capacity values indicated are attained at the corresponding operating temperature. This operating temperature is ensured by continuous movement of the boom. Weights of fitted working tools (grabs, load hooks, etc.) and load accommodation equipment are to be deducted from the lift capacity values. The lift capacity of the unit is limited by its stability, the lifting capability of the hydraulic elements, or the maximum permissible lifting capacity of the load hook.

In accordance with the harmonised European Standard EN 474-5, hydraulic excavators used for lifting operations must be equipped with pipe fracture safety valves, an overload warning device, a load hook and a lift capacity chart.

LH 80 C HR – Attachment GG23

Port – Kinematic 2A

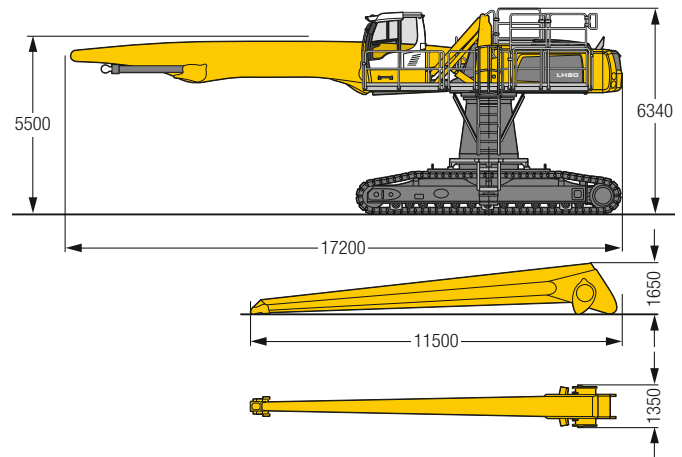


Operating Weight and Ground Pressure

The operating weight includes the basic machine with turret 2,000 mm, hydr. cab elevation, straight boom 12.50 m, straight stick 11.00 m and grab for loose material GMZ 80/6.00 m³.

Weight	94,500 kg
Pad width	750 mm
Ground pressure	on request

Dimensions



m	Undercarriage	Attachment Lengths												Undercarriage		m						
		6.0 m	7.5 m	9.0 m	10.5 m	12.0 m	13.5 m	15.0 m	16.5 m	18.0 m	19.5 m	21.0 m	22.5 m	24.0 m	15.6'		15.6'					
27.0	SW																	15.6'	15.6'	5.9		
25.5	SW																	11.4'	11.4'	10.0		
24.0	SW			13.1*	13.1*													9.7'	9.7'	12.7		
22.5	SW			14.3*	14.3*	12.9*	12.9*	11.0*	11.0*									8.8'	8.8'	14.8		
21.0	SW					13.8*	13.8*	12.6*	12.6*	11.0*	11.0*							8.1'	8.1'	16.4		
19.5	SW							12.9*	12.9*	11.8*	11.8*	10.7*	10.7*					7.7'	7.7'	17.8		
18.0	SW							12.7*	12.7*	11.7*	11.7*	10.8*	10.8*	10.1*	10.1*			7.4'	7.4'	18.9		
16.5	SW							12.6*	12.6*	11.6*	11.6*	10.7*	10.7*	9.9*	9.9*	9.3*	9.3*	8.2*	8.2*	19.9		
15.0	SW							12.7*	12.7*	11.6*	11.6*	10.7*	10.7*	9.9*	9.9*	9.3*	9.3*	8.7*	8.7*	20.7		
13.5	SW							12.8*	12.8*	11.7*	11.7*	10.8*	10.8*	10.0*	10.0*	9.3*	9.3*	8.7*	8.7*	21.4		
12.0	SW					14.5*	14.5*	13.1*	13.1*	11.9*	11.9*	10.9*	10.9*	10.1*	10.1*	9.3*	9.3*	8.7*	8.7*	21.9		
10.5	SW					14.7*	14.7*	14.9*	14.9*	13.3*	13.3*	12.1*	12.1*	11.0*	11.0*	10.2*	10.2*	9.4*	9.4*	22.4		
9.0	SW			14.0*	14.0*	16.4*	16.4*	15.4*	15.4*	13.7*	13.7*	12.3*	12.3*	11.2*	11.2*	10.3*	10.3*	9.5*	9.5*	22.7		
7.5	SW	13.6*	13.6*	17.6*	17.6*	18.4*	18.4*	15.9*	15.9*	14.0*	14.0*	12.6*	12.6*	11.4*	11.4*	10.4*	10.4*	9.5*	9.5*	22.9		
6.0	SW	28.9*	28.9*	23.0*	23.0*	19.1*	19.1*	16.4*	16.4*	14.4*	14.4*	12.8*	12.8*	11.5*	11.5*	10.5*	10.5*	9.6*	9.6*	23.1		
4.5	SW	30.7*	30.7*	24.1*	24.1*	19.8*	19.8*	16.9*	16.9*	14.7*	14.7*	13.0*	13.0*	11.7*	11.7*	10.5*	10.5*	9.6*	9.6*	23.1		
3.0	SW	11.2*	11.2*	24.8*	24.8*	20.3*	20.3*	17.2*	17.2*	14.9*	14.9*	13.1*	13.1*	11.7*	11.7*	10.5*	10.5*	9.5*	9.5*	23.0		
1.5	SW	8.4*	8.4*	19.4*	19.4*	20.5*	20.5*	17.3*	17.3*	15.0*	15.0*	13.1*	13.1*	11.7*	11.7*	10.4*	10.4*	9.3*	9.3*	22.8		
0	SW	8.2*	8.2*	15.4*	15.4*	20.2*	20.2*	17.1*	17.1*	14.8*	14.8*	13.0*	13.0*	11.5*	11.5*	10.2*	10.2*	9.0*	9.0*	22.6		
-1.5	SW	8.9*	8.9*	14.5*	14.5*	19.4*	19.4*	16.6*	16.6*	14.4*	14.4*	12.6*	12.6*	11.1*	11.1*	9.8*	9.8*	8.6*	8.6*	21.7		
-3.0	SW	9.9*	9.9*	14.8*	14.8*	18.0*	18.0*	15.5*	15.5*	13.5*	13.5*	11.8*	11.8*	10.4*	10.4*	9.1*	9.1*	7.8*	7.8*	20.4		
-4.5	SW			15.6*	15.6*	15.9*	15.9*	14.0*	14.0*	12.2*	12.2*	10.7*	10.7*	9.3*	9.3*	8.0*	8.0*	6.7*	6.7*	18.5		
-6.0	SW							10.4*	10.4*	9.1*	9.1*									8.3'	8.3'	14.5

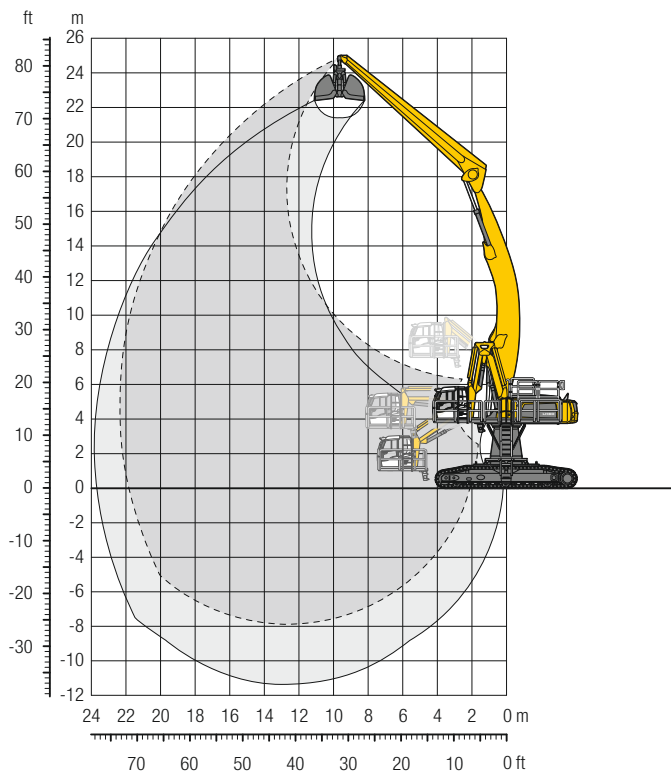
Height
Can be slewed through 360°
In longitudinal position of undercarriage
Max. reach
*** Limited by hydr. capacity**

The lift capacities on the stick end without attachment are stated in metric tons (t) and can be slewed through 360° on a firm, level supporting surface. Capacities are valid for 750 mm wide flat pads. Indicated loads based on the ISO 10567 standard and do not exceed 75% of tipping or 87% of hydraulic capacity. The lift capacity values indicated are attained at the corresponding operating temperature. This operating temperature is ensured by continuous movement of the boom. Weights of fitted working tools (grabs, load hooks, etc.) and load accommodation equipment are to be deducted from the lift capacity values. The lift capacity of the unit is limited by its stability, the lifting capability of the hydraulic elements, or the maximum permissible lifting capacity of the load hook.

In accordance with the harmonised European Standard EN 474-5, hydraulic excavators used for lifting operations must be equipped with pipe fracture safety valves, an overload warning device, a load hook and a lift capacity chart.

LH 80 C HR – Attachment AG22

Port – Kinematic 2D

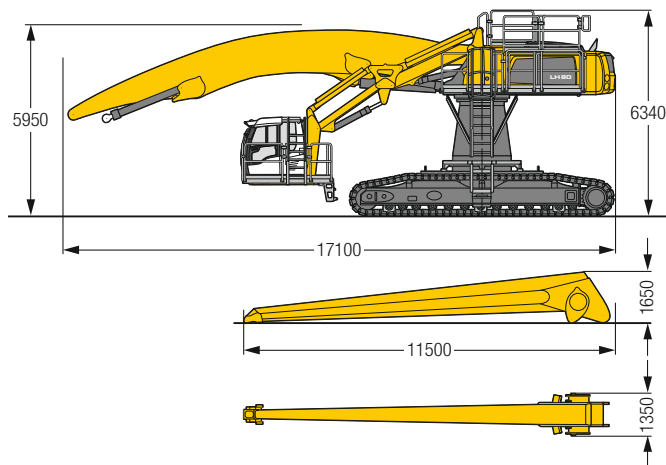


Operating Weight and Ground Pressure

The operating weight includes the basic machine with turret 2,000 mm, hydr. cab elevation, angled boom 12.50 m, straight stick 11.00 m and grab for loose material GMZ 80/6.00 m³.

Weight	97,700 kg
Pad width	750 mm
Ground pressure	on request

Dimensions



m	Undercarriage	6.0 m	7.5 m	9.0 m	10.5 m	12.0 m	13.5 m	15.0 m	16.5 m	18.0 m	19.5 m	21.0 m	22.5 m	24.0 m	m
		SW	SW	SW	SW	SW	SW	SW	SW	SW	SW	SW	SW	SW	
25.5	SW														
24.0	SW				10.2* 10.2*										9.1* 9.1* 11.3
22.5	SW					10.4* 10.4*	8.4* 8.4*								8.3* 8.3* 13.6
21.0	SW						10.0* 10.0*	8.3* 8.3*							7.7* 7.7* 15.4
19.5	SW						9.8* 9.8*	9.2* 9.2*	7.9* 7.9*						7.4* 7.4* 16.8
18.0	SW						9.7* 9.7*	9.1* 9.1*	8.6* 8.6*	7.2* 7.2*					7.1* 7.1* 18.0
16.5	SW						9.6* 9.6*	9.0* 9.0*	8.5* 8.5*	8.1* 8.1*					7.0* 7.0* 19.0
15.0	SW						9.7* 9.7*	9.1* 9.1*	8.5* 8.5*	8.1* 8.1*	7.7* 7.7*				6.9* 6.9* 19.9
13.5	SW						9.8* 9.8*	9.2* 9.2*	8.6* 8.6*	8.1* 8.1*	7.8* 7.8*				6.8* 6.8* 20.6
12.0	SW					10.9* 10.9*	10.0* 10.0*	9.3* 9.3*	8.7* 8.7*	8.2* 8.2*	7.8* 7.8*	7.2* 7.2*			6.8* 6.8* 21.2
10.5	SW				12.4* 12.4*	11.2* 11.2*	10.3* 10.3*	9.5* 9.5*	8.8* 8.8*	8.3* 8.3*	7.8* 7.8*	7.4* 7.4*			6.8* 6.8* 21.6
9.0	SW			14.6* 14.6*	12.9* 12.9*	11.6* 11.6*	10.6* 10.6*	9.7* 9.7*	9.0* 9.0*	8.4* 8.4*	7.9* 7.9*	7.5* 7.5*			6.9* 6.9* 22.0
7.5	SW		18.2* 18.2*	15.5* 15.5*	13.6* 13.6*	12.1* 12.1*	10.9* 10.9*	10.0* 10.0*	9.2* 9.2*	8.6* 8.6*	8.0* 8.0*	7.5* 7.5*			7.0* 7.0* 22.2
6.0	SW	24.6* 24.6*	19.7* 19.7*	16.5* 16.5*	14.3* 14.3*	12.6* 12.6*	11.3* 11.3*	10.3* 10.3*	9.4* 9.4*	8.7* 8.7*	8.1* 8.1*	7.6* 7.6*			7.1* 7.1* 22.3
4.5	SW	27.0* 27.0*	21.2* 21.2*	17.5* 17.5*	14.9* 14.9*	13.1* 13.1*	11.7* 11.7*	10.5* 10.5*	9.6* 9.6*	8.9* 8.9*	8.2* 8.2*	7.6* 7.6*			7.1* 7.1* 22.4
3.0	SW	18.4* 18.4*	22.4* 22.4*	18.4* 18.4*	15.6* 15.6*	13.5* 13.5*	12.0* 12.0*	10.8* 10.8*	9.8* 9.8*	9.0* 9.0*	8.3* 8.3*	7.7* 7.7*			7.1* 7.1* 22.3
1.5	SW	12.8* 12.8*	23.4* 23.4*	19.1* 19.1*	16.1* 16.1*	13.9* 13.9*	12.3* 12.3*	11.0* 11.0*	10.0* 10.0*	9.1* 9.1*	8.3* 8.3*	7.6* 7.6*			7.0* 7.0* 22.1
0	SW	11.5* 11.5*	19.5* 19.5*	19.5* 19.5*	16.5* 16.5*	14.2* 14.2*	12.5* 12.5*	11.2* 11.2*	10.0* 10.0*	9.1* 9.1*	8.3* 8.3*	7.5* 7.5*			7.0* 7.0* 21.8
-1.5	SW	11.5* 11.5*	17.5* 17.5*	19.6* 19.6*	16.6* 16.6*	14.3* 14.3*	12.6* 12.6*	11.2* 11.2*	10.0* 10.0*	9.0* 9.0*	8.1* 8.1*	7.2* 7.2*			6.9* 6.9* 21.4
-3.0	SW	12.0* 12.0*	16.9* 16.9*	19.3* 19.3*	16.4* 16.4*	14.2* 14.2*	12.5* 12.5*	11.1* 11.1*	9.9* 9.9*	8.8* 8.8*	7.8* 7.8*				6.7* 6.7* 20.9
-4.5	SW	12.7* 12.7*	17.1* 17.1*	18.6* 18.6*	15.9* 15.9*	13.8* 13.8*	12.1* 12.1*	10.7* 10.7*	9.5* 9.5*	8.4* 8.4*	7.2* 7.2*				6.5* 6.5* 20.3
-6.0	SW		17.7* 17.7*	17.4* 17.4*	15.0* 15.0*	13.1* 13.1*	11.5* 11.5*	10.1* 10.1*	8.8* 8.8*	7.6* 7.6*					6.9* 6.9* 18.8
-7.5	SW				13.6* 13.6*	11.9* 11.9*	10.4* 10.4*	9.0* 9.0*							8.6* 8.6* 15.5

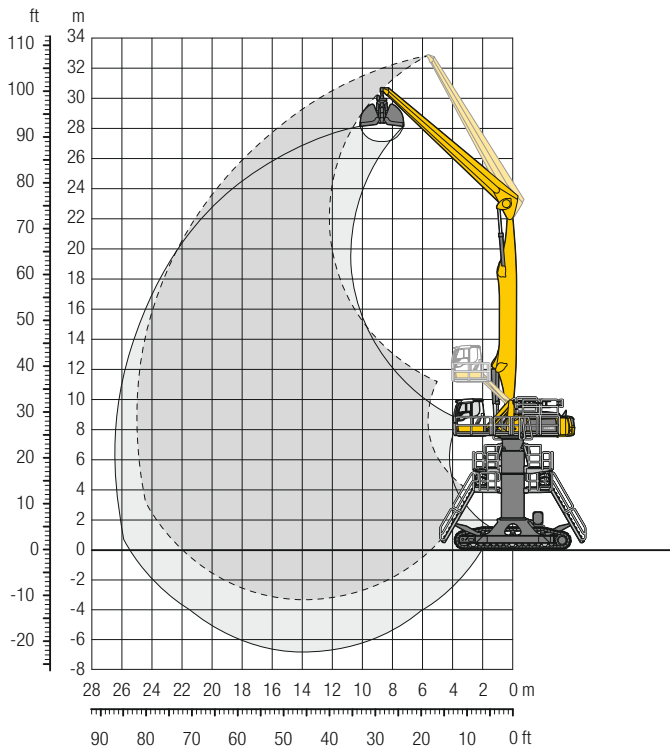
Height Can be slewed through 360° In longitudinal position of undercarriage Max. reach * Limited by hydr. capacity

The lift capacities on the stick end without attachment are stated in metric tons (t) and can be slewed through 360° on a firm, level supporting surface. Capacities are valid for 750 mm wide flat pads. Indicated loads based on the ISO 10567 standard and do not exceed 75% of tipping or 87% of hydraulic capacity. The lift capacity values indicated are attained at the corresponding operating temperature. This operating temperature is ensured by continuous movement of the boom. Weights of fitted working tools (grabs, load hooks, etc.) and load accommodation equipment are to be deducted from the lift capacity values. The lift capacity of the unit is limited by its stability, the lifting capability of the hydraulic elements, or the maximum permissible lifting capacity of the load hook.

In accordance with the harmonised European Standard EN 474-5, hydraulic excavators used for lifting operations must be equipped with pipe fracture safety valves, an overload warning device, a load hook and a lift capacity chart.

LH 80 C Gantry – Attachment GG25

Port – Kinematic 2A

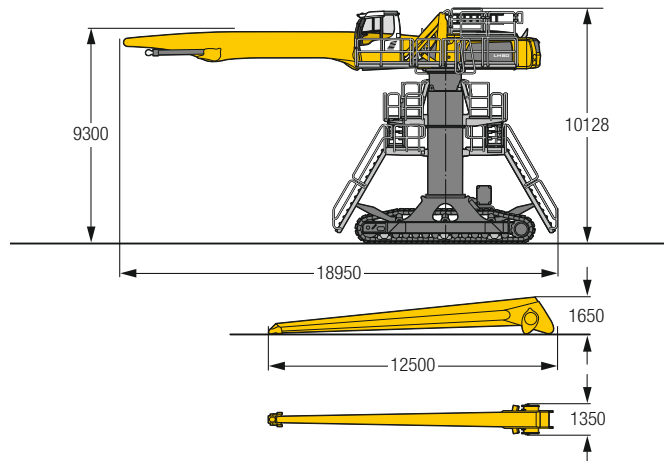


Operating Weight and Ground Pressure

The operating weight includes the basic machine with hydr. cab elevation, straight boom 13.50 m, straight stick 12.00 m and grab for loose material GMZ 80/4.00 m³.

Weight	116,200 kg
Pad width	750 mm
Ground pressure	on request

Dimensions



m	Undercarriage	Attachment GG25														m																				
		6.0 m	7.5 m	9.0 m	10.5 m	12.0 m	13.5 m	15.0 m	16.5 m	18.0 m	19.5 m	21.0 m	22.5 m	24.0 m																						
31.5	Gantry				12.1*	12.1*															11.0*	11.0*	9.8													
30.0	Gantry					12.0*	12.0*	10.4*	10.4*													9.2*	9.2*	12.8												
28.5	Gantry					12.8*	12.8*	11.7*	11.7*	10.4*	10.4*	8.3*	8.3*									8.2*	8.2*	15.1												
27.0	Gantry							12.4*	12.4*	11.4*	11.4*	10.2*	10.2*	8.3*	8.3*							7.6*	7.6*	16.9												
25.5	Gantry							12.4*	12.4*	11.2*	11.2*	10.3*	10.3*	9.5*	9.5*	7.9*	7.9*					7.1*	7.1*	18.4												
24.0	Gantry									11.1*	11.1*	10.2*	10.2*	9.4*	9.4*	8.8*	8.8*	7.2*	7.2*			6.8*	6.8*	19.7												
22.5	Gantry									11.1*	11.1*	10.2*	10.2*	9.4*	9.4*	8.7*	8.7*	8.1*	8.1*			6.6*	6.6*	20.8												
21.0	Gantry									11.1*	11.1*	10.1*	10.1*	9.4*	9.4*	8.7*	8.7*	8.1*	8.1*	7.6*	7.6*	6.4*	6.4*	21.7												
19.5	Gantry							12.2*	12.2*	11.1*	11.1*	10.2*	10.2*	9.4*	9.4*	8.7*	8.7*	8.1*	8.1*	7.5*	7.5*	6.3*	6.3*	22.5												
18.0	Gantry							12.4*	12.4*	11.2*	11.2*	10.2*	10.2*	9.4*	9.4*	8.7*	8.7*	8.1*	8.1*	7.5*	7.5*	7.0*	7.0*	23.2												
16.5	Gantry							12.5*	12.5*	11.3*	11.3*	10.3*	10.3*	9.5*	9.5*	8.7*	8.7*	8.1*	8.1*	7.5*	7.5*	7.0*	7.0*	23.7												
15.0	Gantry							13.8*	13.8*	12.8*	12.8*	11.5*	11.5*	10.4*	10.4*	9.6*	9.6*	8.8*	8.8*	8.1*	8.1*	7.5*	7.5*	7.0*	7.0*	6.3*	6.3*	6.1*	6.1*	24.2						
13.5	Gantry							13.4*	13.4*	14.7*	14.7*	13.0*	13.0*	11.7*	11.7*	10.6*	10.6*	9.6*	9.6*	8.9*	8.9*	8.2*	8.2*	7.5*	7.5*	7.0*	7.0*	6.3*	6.3*	6.0*	6.0*	24.5				
12.0	Gantry									13.2*	13.2*	15.8*	15.8*	15.1*	15.1*	13.3*	13.3*	11.9*	11.9*	10.7*	10.7*	9.7*	9.7*	8.9*	8.9*	8.2*	8.2*	7.5*	7.5*	6.9*	6.9*	6.3*	6.3*	5.8*	5.8*	24.8
10.5	Gantry	15.6*	15.6*	19.4*	19.4*	18.2*	18.2*	15.6*	15.6*	13.6*	13.6*	12.1*	12.1*	10.8*	10.8*	9.8*	9.8*	9.0*	9.0*	8.2*	8.2*	7.5*	7.5*	6.9*	6.9*	6.2*	6.2*	5.6*	5.6*	5.6*	5.6*	5.6*	5.6*	24.9		
9.0	Gantry	28.9*	28.9*	22.7*	22.7*	18.7*	18.7*	15.9*	15.9*	13.9*	13.9*	12.3*	12.3*	11.0*	11.0*	9.9*	9.9*	9.0*	9.0*	8.2*	8.2*	7.5*	7.5*	6.8*	6.8*	6.0*	6.0*	5.3*	5.3*	5.3*	5.3*	5.3*	5.3*	25.0		
7.5	Gantry	11.7*	11.7*	23.4*	23.4*	19.2*	19.2*	16.2*	16.2*	14.1*	14.1*	12.4*	12.4*	11.0*	11.0*	9.9*	9.9*	9.0*	9.0*	8.2*	8.2*	7.4*	7.4*	6.7*	6.7*	5.8*	5.8*	5.0*	5.0*	5.0*	5.0*	5.0*	5.0*	25.0		
6.0	Gantry	6.8*	6.8*	17.6*	17.6*	19.4*	19.4*	16.4*	16.4*	14.2*	14.2*	12.4*	12.4*	11.0*	11.0*	9.9*	9.9*	8.9*	8.9*	8.1*	8.1*	7.3*	7.3*	6.4*	6.4*	5.5*	5.5*	4.7*	4.7*	4.7*	4.7*	4.7*	4.7*	24.9		
4.5	Gantry	6.2*	6.2*	12.5*	12.5*	19.3*	19.3*	16.3*	16.3*	14.1*	14.1*	12.4*	12.4*	11.0*	11.0*	9.8*	9.8*	8.8*	8.8*	7.9*	7.9*	7.0*	7.0*	6.1*	6.1*	5.0*	5.0*	4.3*	4.3*	4.3*	4.3*	4.3*	4.3*	24.7		
3.0	Gantry	6.5*	6.5*	11.2*	11.2*	18.8*	18.8*	16.0*	16.0*	13.8*	13.8*	12.1*	12.1*	10.7*	10.7*	9.5*	9.5*	8.5*	8.5*	7.6*	7.6*	6.6*	6.6*	5.7*	5.7*	4.3*	4.3*	3.9*	3.9*	3.9*	3.9*	3.9*	3.9*	24.3		
1.5	Gantry	7.3*	7.3*	11.2*	11.2*	17.8*	17.8*	15.3*	15.3*	13.3*	13.3*	11.7*	11.7*	10.3*	10.3*	9.1*	9.1*	8.1*	8.1*	7.1*	7.1*	6.1*	6.1*	5.0*	5.0*			4.1*	4.1*	4.1*	4.1*	4.1*	4.1*	23.4		
0	Gantry	8.3*	8.3*	11.8*	11.8*	16.3*	16.3*	14.2*	14.2*	12.4*	12.4*	10.9*	10.9*	9.7*	9.7*	8.5*	8.5*	7.5*	7.5*	6.4*	6.4*	5.3*	5.3*					4.4*	4.4*	4.4*	4.4*	4.4*	4.4*	22.0		
-1.5	Gantry			12.6*	12.6*	14.3*	14.3*	12.7*	12.7*	11.2*	11.2*	9.9*	9.9*	8.7*	8.7*	7.6*	7.6*	6.6*	6.6*	5.5*	5.5*							5.0*	5.0*	5.0*	5.0*	5.0*	5.0*	20.1		
-3.0	Gantry									9.5*	9.5*	8.4*	8.4*	7.4*	7.4*	6.4*	6.4*											6.3*	6.3*	6.3*	6.3*	6.3*	6.3*	16.6		

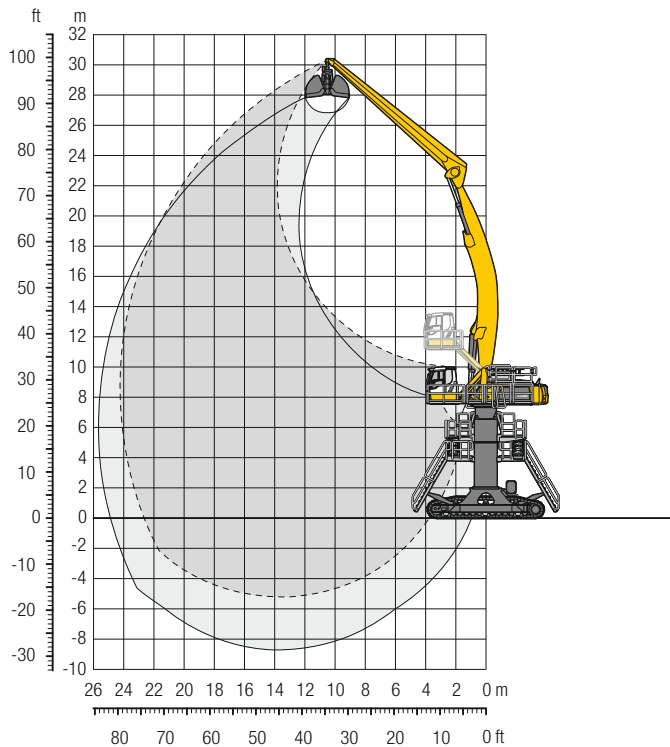
Height **Can be slewed through 360°** **In longitudinal position of undercarriage** **Max. reach** * **Limited by hydr. capacity**

The lift capacities on the stick end without attachment are stated in metric tons (t) and can be slewed through 360° on a firm, level supporting surface. Capacities are valid for 750 mm wide flat pads. Indicated loads based on the ISO 10567 standard and do not exceed 75% of tipping or 87% of hydraulic capacity. The lift capacity values indicated are attained at the corresponding operating temperature. This operating temperature is ensured by continuous movement of the boom. Weights of fitted working tools (grabs, load hooks, etc.) and load accommodation equipment are to be deducted from the lift capacity values. The lift capacity of the unit is limited by its stability, the lifting capability of the hydraulic elements, or the maximum permissible lifting capacity of the load hook.

In accordance with the harmonised European Standard EN 474-5, hydraulic excavators used for lifting operations must be equipped with pipe fracture safety valves, an overload warning device, a load hook and a lift capacity chart.

LH 80 C Gantry – Attachment AG24

Port – Kinematic 2D

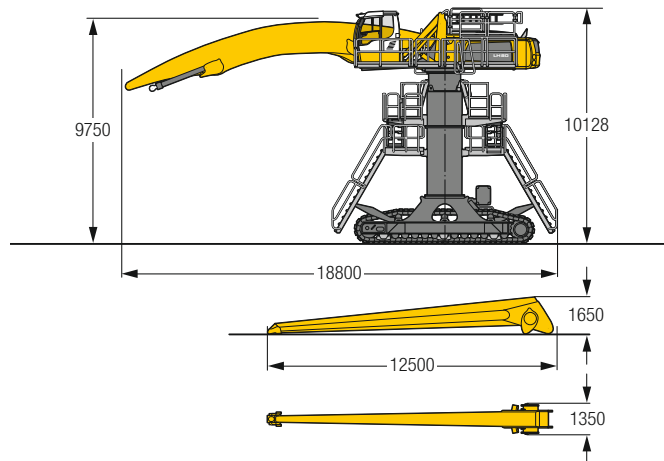


Operating Weight and Ground Pressure

The operating weight includes the basic machine with hydr. cab elevation, angled boom 13.50 m, straight stick 12.00 m and grab for loose material GMZ 80/4.00 m³.

Weight	117,000 kg
Pad width	750 mm
Ground pressure	on request

Dimensions




Height	Attachment	Reach (m)														Attachment				
		6.0	7.5	9.0	10.5	12.0	13.5	15.0	16.5	18.0	19.5	21.0	22.5	24.0	AG24	AG24				
30.0	Gantry																8.7*	8.7*	11.1	
28.5	Gantry					9.6*	9.6*	8.0*	8.0*									7.7*	7.7*	13.7
27.0	Gantry							9.5*	9.5*	8.0*	8.0*							7.2*	7.2*	15.7
25.5	Gantry							9.3*	9.3*	8.6*	8.6*	7.9*	7.9*					6.8*	6.8*	17.3
24.0	Gantry									8.5*	8.5*	8.0*	8.0*	7.5*	7.5*			6.5*	6.5*	18.7
22.5	Gantry									8.5*	8.5*	7.9*	7.9*	7.4*	7.4*	6.8*	6.8*	6.3*	6.3*	19.8
21.0	Gantry									8.4*	8.4*	7.9*	7.9*	7.4*	7.4*	7.0*	7.0*	6.2*	6.2*	20.8
19.5	Gantry									8.5*	8.5*	7.9*	7.9*	7.4*	7.4*	7.0*	7.0*	6.7*	6.7*	21.6
18.0	Gantry											9.3*	9.3*	8.6*	8.6*	8.0*	8.0*	6.7*	6.7*	22.3
16.5	Gantry											9.4*	9.4*	8.7*	8.7*	8.0*	8.0*	6.7*	6.7*	22.9
15.0	Gantry													9.6*	9.6*	8.8*	8.8*	6.7*	6.7*	23.4
13.5	Gantry																			23.7
12.0	Gantry																			24.0
10.5	Gantry																			24.1
9.0	Gantry																			24.2
7.5	Gantry																			24.2
6.0	Gantry																			24.1
4.5	Gantry																			23.9
3.0	Gantry																			23.5
1.5	Gantry																			23.1
0	Gantry																			22.6
-1.5	Gantry																			22.0
-3.0	Gantry																			20.6
-4.5	Gantry																			17.7


Height
Can be slewed through 360°
In longitudinal position of undercarriage
Max. reach
 * Limited by hydr. capacity


The lift capacities on the stick end without attachment are stated in metric tons (t) and can be slewed through 360° on a firm, level supporting surface. Capacities are valid for 750 mm wide flat pads. Indicated loads based on the ISO 10567 standard and do not exceed 75% of tipping or 87% of hydraulic capacity. The lift capacity values indicated are attained at the corresponding operating temperature. This operating temperature is ensured by continuous movement of the boom. Weights of fitted working tools (grabs, load hooks, etc.) and load accommodation equipment are to be deducted from the lift capacity values. The lift capacity of the unit is limited by its stability, the lifting capability of the hydraulic elements, or the maximum permissible lifting capacity of the load hook.


In accordance with the harmonised European Standard EN 474-5, hydraulic excavators used for lifting operations must be equipped with pipe fracture safety valves, an overload warning device, a load hook and a lift capacity chart.

Equipment

	80 M	80 C	80 M HR	80 C HR	80 C Gantry
 Undercarriage					
Track pads, variants		+		+	+
Individual control outriggers	+		•		
Three-piece chain guide		•		•	•
Shuttle axle lock, automatic	•		•		
Outrigger monitoring system	+		+		
Tyres, variants	+		+		
Protection for piston rods, outriggers	+		+		
Two lockable storage compartments	•				

	80 M	80 C	80 M HR	80 C HR	80 C Gantry
 Uppercarriage					
Uppercarriage rear light, 2 pieces, LED	+	+			
Uppercarriage right side light, 1 piece, LED	•	•	•	•	•
Uppercarriage underneath rear light, 1 piece, LED			+	+	+
Refuelling system with filling pump	+	+	+	+	+
Railing on uppercarriage	+	+	•	•	•
Generator	+	+	+	+	+
Main battery switch for electrical system	•	•	•	•	•
Warning beacon on uppercarriage, LED	+	+	+	+	+
Protection for headlights	+	+			
Protection for rear lights	+	+			
Tool equipment, extended	•	•	•	•	•

	80 M	80 C	80 M HR	80 C HR	80 C Gantry
 Hydraulic System					
Electronic pump regulation	•	•	•	•	•
Liebherr hydraulic oil from -20 °C to +40 °C	•	•	•	•	•
Liebherr hydraulic oil, biologically degradable	+	+	+	+	+
Liebherr hydraulic oil, specially for warm or cold regions	+	+	+	+	+
Magnetic rod in hydraulic tank	•	•	•	•	•
Bypass filter	+	+	+	+	+
Preheating hydraulic oil	+	+	+	+	+

	80 M	80 C	80 M HR	80 C HR	80 C Gantry
 Engine					
Fuel anti-theft device	+	+	+	+	+
Air pre-filter with dust discharge	+	+	+	+	+
Automatic engine shut-down (time adjustable)	+	+	+	+	+
Preheating fuel	+	+	+	+	+
Preheating coolant	+	+	+	+	+
Preheating engine oil*	+	+	+	+	+

	80 M	80 C	80 M HR	80 C HR	80 C Gantry
 Cooling System					
Reversible fan drive, fully automatic	+	+	+	+	+
Protective grid in front of cooler intake	•	•	•	•	•



Operator's Cab

	80 M	80 C	80 M HR	80 C HR	80 C Gantry
Stabilizer, control lever, left console	+		+		
Stabilizer, proportional control on left joystick	•		•		
Cab lights rear, LED	+	+	+	+	+
Cab lights front, LED	+	+	+	+	+
Cab lights front, LED (under rain cover)	•	•	•	•	•
Armrest adjustable	•	•	•	•	•
Circular bubble level	+	+	•	•	•
Slewing gear brake Comfort, button on the left or right joystick	+	+	+	+	+
Driver profile, personalised (max. 5 drivers)	+	+	•	•	•
Operator's seat Comfort	•	•	•	•	•
Operator's seat Premium	+	+	+	+	+
Driving alarm					
(acoustic signal is emitted during travel, can be switched ON/OFF)	+	+	+	+	+
Fire extinguisher	+	+	+	+	+
Footrest	+	+	+	+	+
Horn, button on left joystick	•	•	•	•	•
Joystick steering	•		•		
Cab elevation, hydraulic (LHC)	•	•	•	•	•
Cab elevation, hydraulic with double parallelogram (LHC-D)			+	+	+
Cab elevation, rigid (LFC)	+	+			
Automatic air conditioning	•	•	•	•	•
Wheel steering (slim version)	+		+		
LiDAT, vehicle fleet management	•	•	•	•	•
Proportional control	•	•	•	•	•
Radio Comfort, control via display with handsfree set	+	+	+	+	+
Preparation for radio installation	•	•	•	•	•
Back-up alarm (acoustic signal is emitted traveling backward, can not be switched off)	+		+		
Warning beacon on cab, LED	+	+	+	+	+
Windows made from impact-resistant laminated safety glass	+	+	•	•	•
Windscreen wiper, roof	+	+	+	+	+
Windshield wiper, entire windscreen	•	•	•	•	•
Top guard	+	+	+	+	+
Front guard, adjustable	+	+	+	+	+
Sun visor	+	+	+	+	+
Left control console, folding	•	•	•	•	•
Flashing light (xenon)	+	+	+	+	+



Attachment

	80 M	80 C	80 M HR	80 C HR	80 C Gantry
Boom lights, 2 pieces, LED	•	•	•	•	•
Stick lights, 2 pieces, LED	•	•	•	•	•
Boom shutoff (retract/extend), electronically	+	+	•	•	•
Attachment with electro-hydraulic end position control	•	•	•	•	•
AutoLift	+	+	+	+	+
Pressure warning mechanism hoist cylinder	•	•	•	•	•
ERC system	•	•	•	•	•
Filter system for working tool	+	+	+	+	+
Electronic lift limitation	+	+	+	+	+
Boom cylinder cushioning	•	•	•	•	•
Stick camera (with separate monitor), bottom side, with protection	+	+	+	+	+
Load torque limitation	+	+	+	+	+
Liebherr multi coupling system	+	+	+	+	+
Pipe fracture safety valves hoist cylinders	•	•	•	•	•
Pipe fracture safety valves stick cylinders	•	•	•	•	•
Quick coupling system MH 110B	+	+	+	+	+
Protection for piston rod, energy recovering cylinder	+	+	+	+	+
Protection for piston rods, hoist cylinder	+	+	+	+	+
Stick shutoff (retract), electronically	•	•			
Stick shutoff (retract/extend), electronically	+	+	•	•	•
Retract stick without pressure	•	•	•	•	•
Sticks with quick coupling	+	+	+	+	+
Overload warning device	+	+	+	+	+



Complete Machine

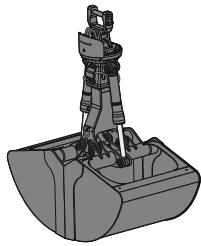
	80 M	80 C	80 M HR	80 C HR	80 C Gantry
Lubrication					
Lubrication undercarriage, manually – decentralised (grease points)	•				
Lubrication undercarriage, manually – centralised (one grease point)	+		•		
Central lubrication system for uppercarriage and attachment, automatically	•	•	•	•	•
Central lubrication system for undercarriage, automatically	+		+		
Special coating					
Special coating, variants	+	+	+	+	+
Monitoring					
Rear view monitoring with camera	•	•	•	•	•
Side view monitoring with camera	•	•	•	•	•

• = Standard, + = Option

* = country-dependent

Options and/or special attachments, supplied by vendors other than Liebherr, are only to be installed with the knowledge and approval of Liebherr in order to retain warranty.

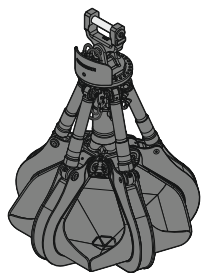
Working Tools



Grab for Loose Material

Shells for loose material with cutting edge (without teeth)

Grab model GMZ 50								
Width of shells	mm	1,400	1,600	1,800	2,000	2,200	2,400	3,200
Capacity	m ³	3.50	4.00	4.50	5.00	5.50	6.00	8.00
Loose material, specific weight up to	t/m ³	1.1	1.1	1.1	1.1	1.1	1.1	1.1
Weight	kg	2,695	2,830	2,905	3,035	3,170	3,300	3,830
Grab model GMZ 80								
Width of shells	mm	1,300	1,500	1,750	2,000	2,200	2,600	
Capacity	m ³	3.00	3.50	4.00	4.50	5.00	6.00	
Weight	kg	2,515	2,630	2,775	2,920	3,040	3,275	
Grab model GMZ 120								
Width of shells	mm	1,600	1,800	2,000	2,200	2,400	2,800	
Capacity	m ³	4.00	4.50	5.00	5.50	6.00	7.00	
Weight	kg	3,040	3,135	3,295	3,425	3,545	3,825	



Multi-Tine Grab

closed

Grab model GMM 80-5 (5 tines)								
Capacity	m ³	1.10*	1.40*	1.70*				
Weight	kg	2,440	2,580	2,740				
Grab model GMM 120-5 (5 tines)								
Capacity	m ³	1.70	2.00	2.50		3.00		

* heart-shaped



Wood Grab

Grab model GMH 50 round-shaped (overlapping, horizontal cylinders)								
Size	m ²	2.50	2.50	2.80	3.20	3.60		
Cutting width	mm	870	1,000	1,000	1,000	1,000		
Height of grab, closed	mm	2,520	2,531	2,642	2,772	2,942		
Weight	kg	2,115	2,190	2,270	2,330	2,390		
Grab model GMH 80 round-shaped (complete overlapping, vertical cylinders)								
Size	m ²	1.60	1.90	2.20	2.50			
Cutting width	mm	870	870	870	870			
Height of grab, closed	mm	3,202	3,332	3,487	3,582			
Weight	kg	2,195	2,240	2,255	2,315			
Grab model GMH 120 round-shaped (complete overlapping, vertical cylinders)								
Size	m ²	2.80	3.20					
Cutting width	mm	870	870					
Height of grab, closed	mm	3,851	4,007					
Weight	kg	2,405	2,765					

Load Hook

Max. load	t	25
Weight	kg	255

Magnet Devices / Lifting Magnets

Generator	kW	20	30
Electromagnet with suspension			
Power	kW	11.7	17.8
Diameter of magnet	mm	1,500	1,700
Weight	kg	2,400*	3,300*

* only magnet plate

